

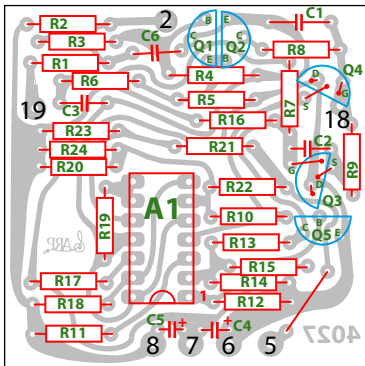
R 1 = 475K 1%  
 R 2 = 121K 1%  
 R 3 - 14 - 21 = 1K 1%  
 R 4 = 1,84K 1%  
 R 5 = 100K 1%  
 R 6 - R 7 = 61,9K 1%  
 R 8 - 17 = 12K  
 R 9 = 1,5K  
 R 10 = 30,1K 1%  
 R 11 = 3,9K  
 R 12 = 220  
 R 13 = 1,65K 1%  
 R 15 = 8,87K 1%  
 R 16 = 1,37K 1%  
 R 17 = 12K  
 R 18 = 47K  
 R 19 = 68K  
 R 20 = 33,2K 1%  
 R 22 = 45,3K 1%  
 R 23 = 15K  
 R 24 = 3,3M

C. Chimique  
 C 4 - 5 = 1uF - 35V

C. Céramique  
 C 2 = 5pF  
 C 3 - 6 = 10nF

C. Mica  
 C 1 = 680pF

A 1 = CA3086  
 Q 1 = 2N3906  
 Q 2 = 2N3904  
 Q 3 - 4 = 2N5459  
 Q 5 = 2N4125



-15V  
 GND  
 +15V