

## SIZE TABLE

### TIANA'S CLOSET SEWING PATTERNS

Size code		XXS	XS	S	M	L	XL	XXL	3XL	4XL	5XL
Bust	centimeter	80	84	88	92	96	100	104	110	116	122
	inch	31.5	33.1	34.6	36.2	37.8	39.4	40.9	43.3	45.7	47.2
Waist	centimeter	60	64	68	72	76	80	84	90	96	102
	inch	23.6	25.2	26.8	28.3	29.9	31.5	33.1	35.4	37.8	40.2
Hip	centimeter	88	92	96	100	104	108	112	118	124	130
	inch	34.6	36.2	37.8	39.4	40.9	42.5	44.1	46.5	49.6	52.0

## PRINTING INSTRUCTIONS

- Tiana's Closet sewing patterns are made in Layered PDF format, which means all sizes are saved in one file and can be shown or hidden. It is recommended to use Adobe Acrobat Reader (paid version on Mac OS, free on Windows) or Foxit PDF Reader (free, works on Windows only) to read the file correctly. In order to choose the desired size(s), go to Layers tab of your PDF reader, uncheck all boxes except for the desired size(s) and the box Print for all sizes.

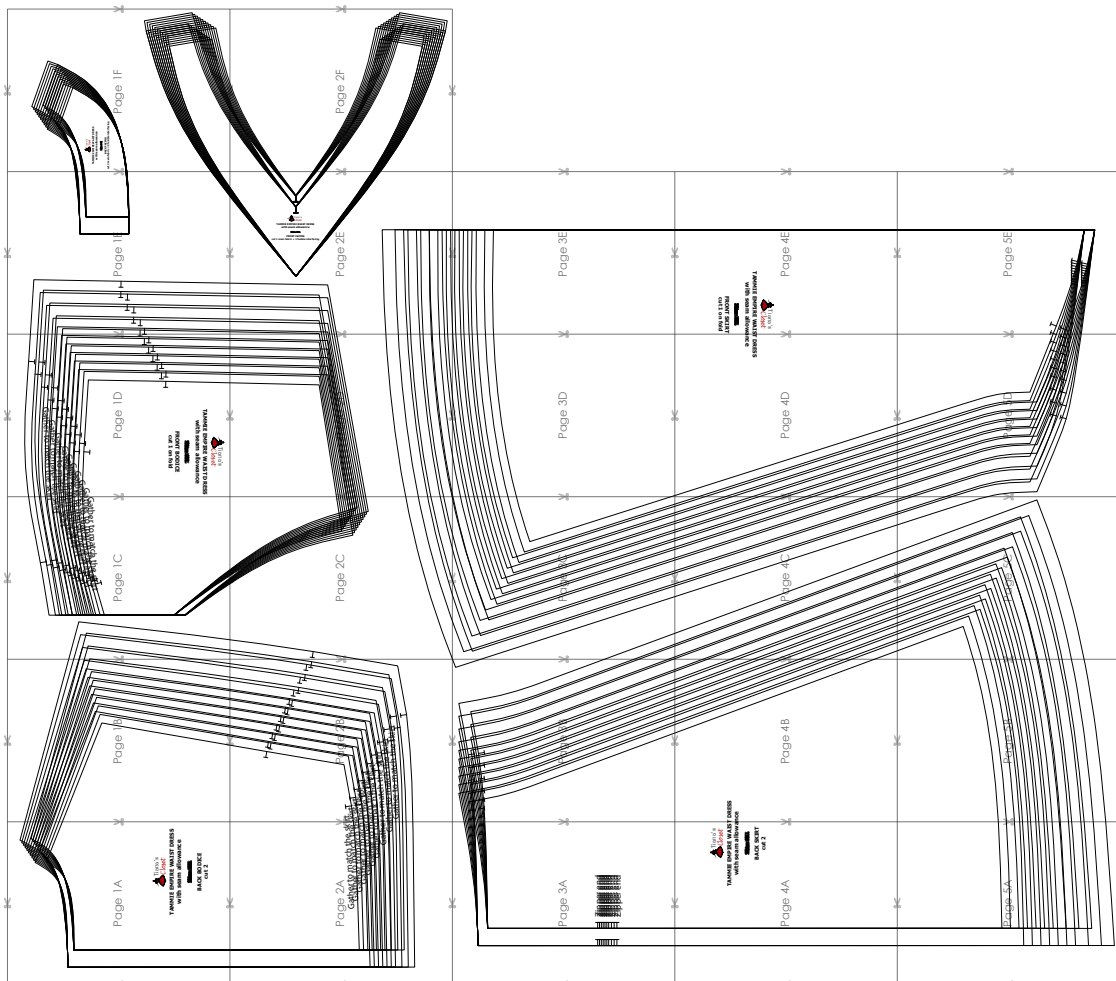
- When printing the pattern, go to Print settings, in the tab Scale choose Custom scale: 100% (or Scaling: None or Actual Size) to print true to size. Note: some computers print smaller than true size even when you choose 100% scale, so you will have to adjust the scale to a little larger than 100% and measure the test square until you get the true size.

- The test square is 10 centimeters (horizontally) and 4 inches (vertically).

- Always print the first page of the file and measure to avoid waste of paper.

- After printing the pattern, cut the pages along the lines with scissors icon, align and tape the pages according to their sequences. For example, page 1A is taped to page 1B in a row, and page 1A is taped to page 2A in a column. Please see the image below to see how the pages line up.

- You can find photo instruction for printing sewing patterns on Tiana's Closet website: <https://tianasclot.com/index.php/how-to-print-tianas-closet-patterns/>



For more ideas and free sewing patterns, visit <http://tianasclot.com>



Page 1A

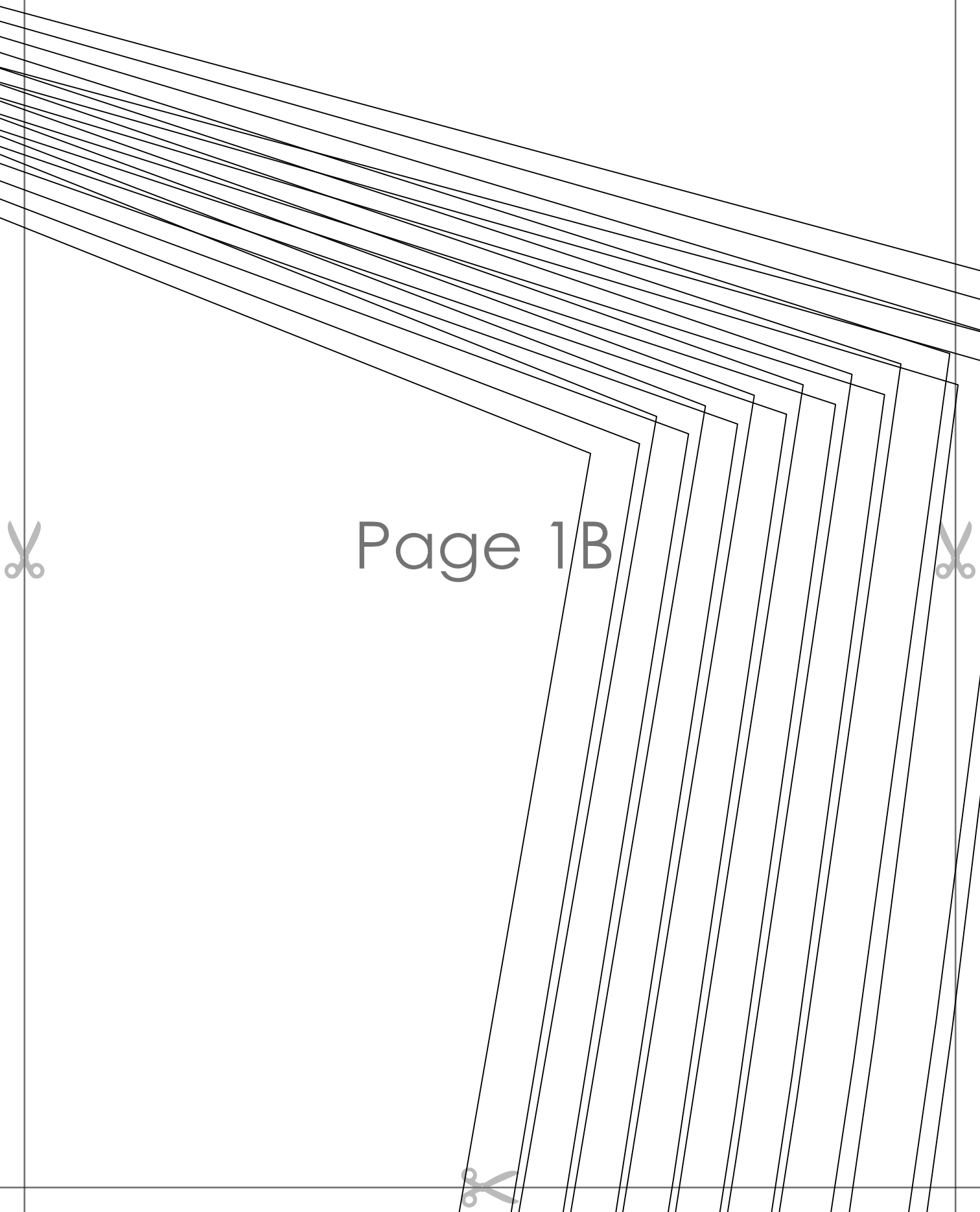


**TAMMIE EMPIRE WAIST DRESS  
with seam allowance**

~~Size 10~~

**BACK BODICE  
cut 2**





Page 1B







Gather to match the skirt  
 Gather to match the s  
 Gather to match the  
 Gather to match  
 Gather to match  
 Gather to match  
 Gather to match  
 Gather to match

# Page 1D

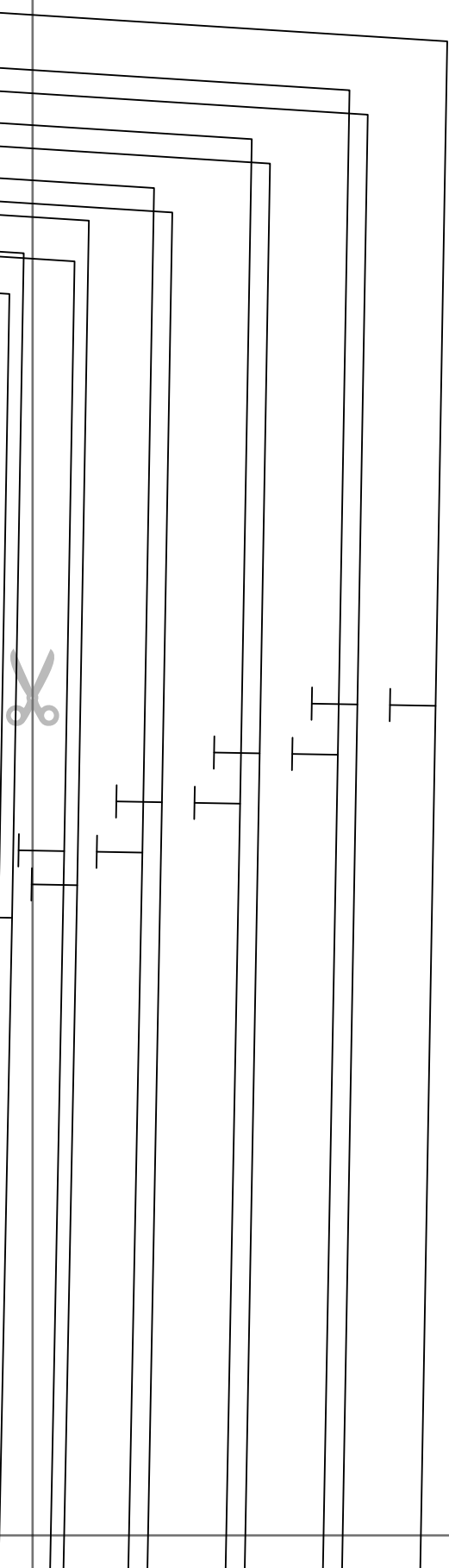


**FRONT BODICE**  
 cut 1 on fold

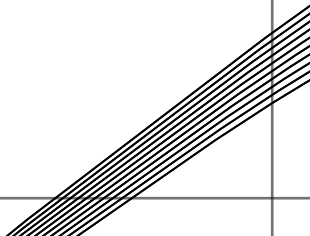
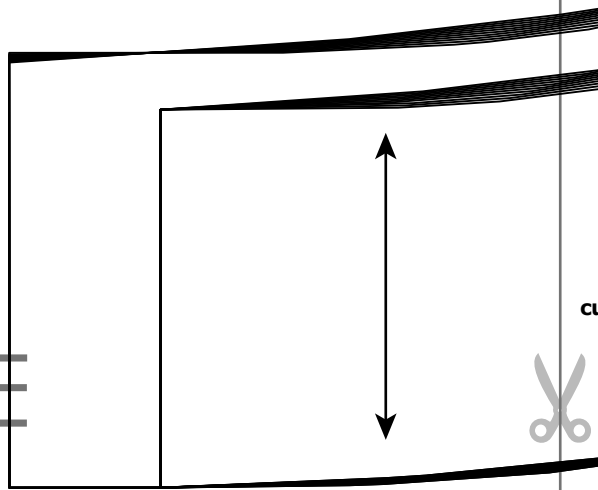
~~STAY-INS~~

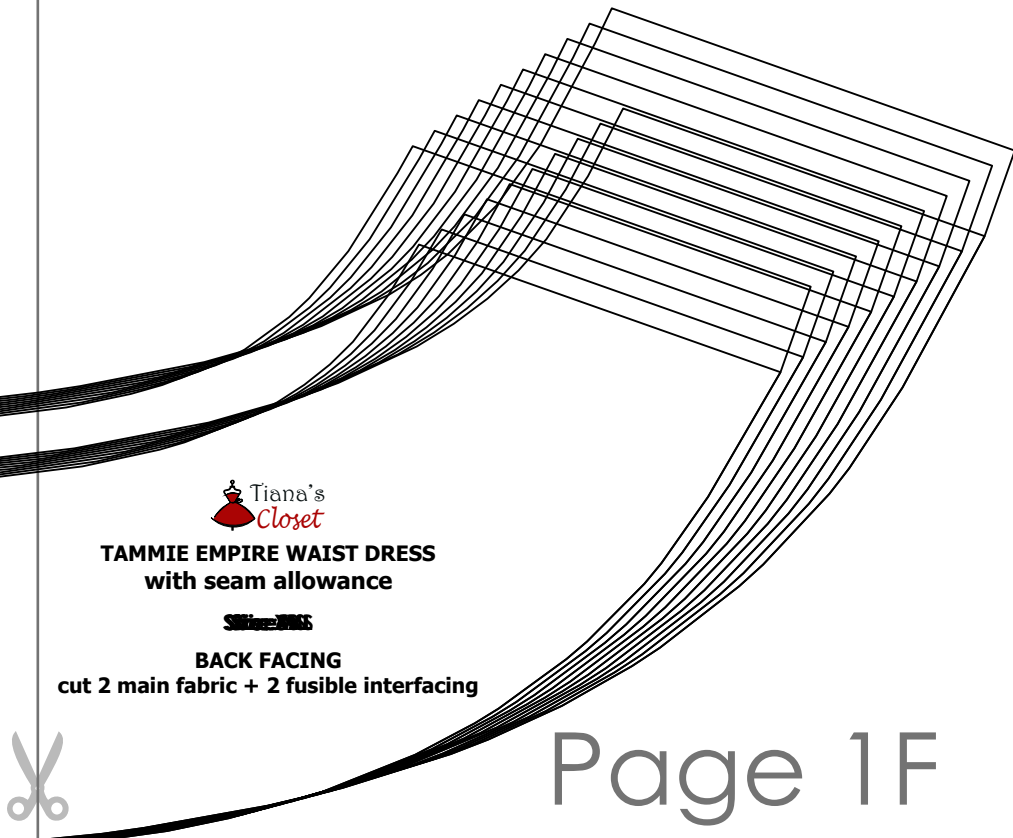
**TAMMIE EMPIRE WAIST DRESS**  
 with seam allowance





Page 1E



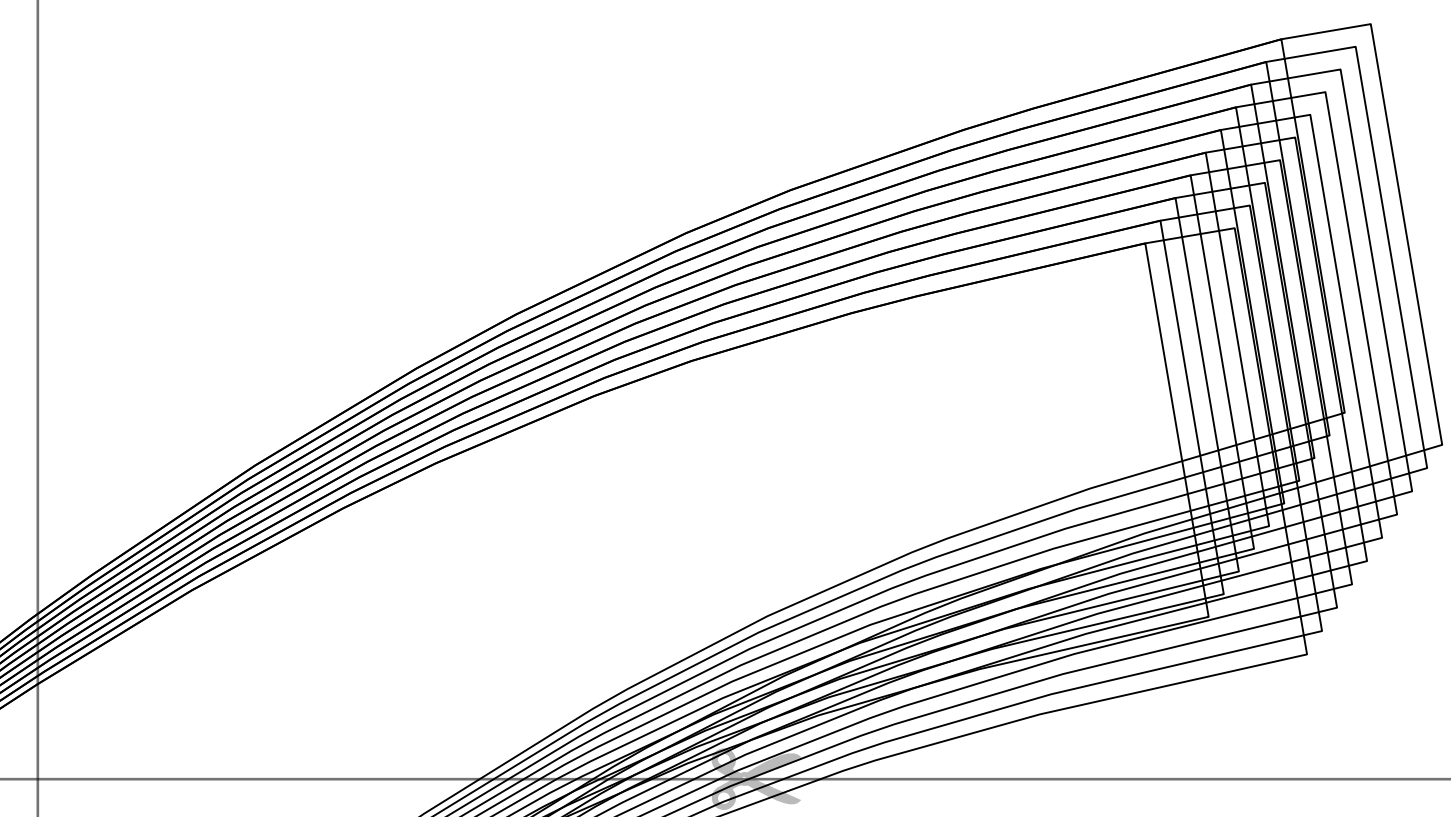


**TAMMIE EMPIRE WAIST DRESS**  
with seam allowance

**Size 20**

**BACK FACING**  
cut 2 main fabric + 2 fusible interfacing

Page 1F





Page 2A

Gather to match the skin  
 Gather to match the sk  
 Gather to match the  
 Gather to match t  
 Gather to match  
 Gather to ma  
 Gather to r  
 Gather  
 Gatl  
 C





Page 2B

skirt.  
skirt.  
he skirt.  
n the skirt.  
tch the skirt.  
match the skirt.  
o match the skirt.  
er to match the skirt.  
ather to match the skirt.  
Gather to match the skirt.



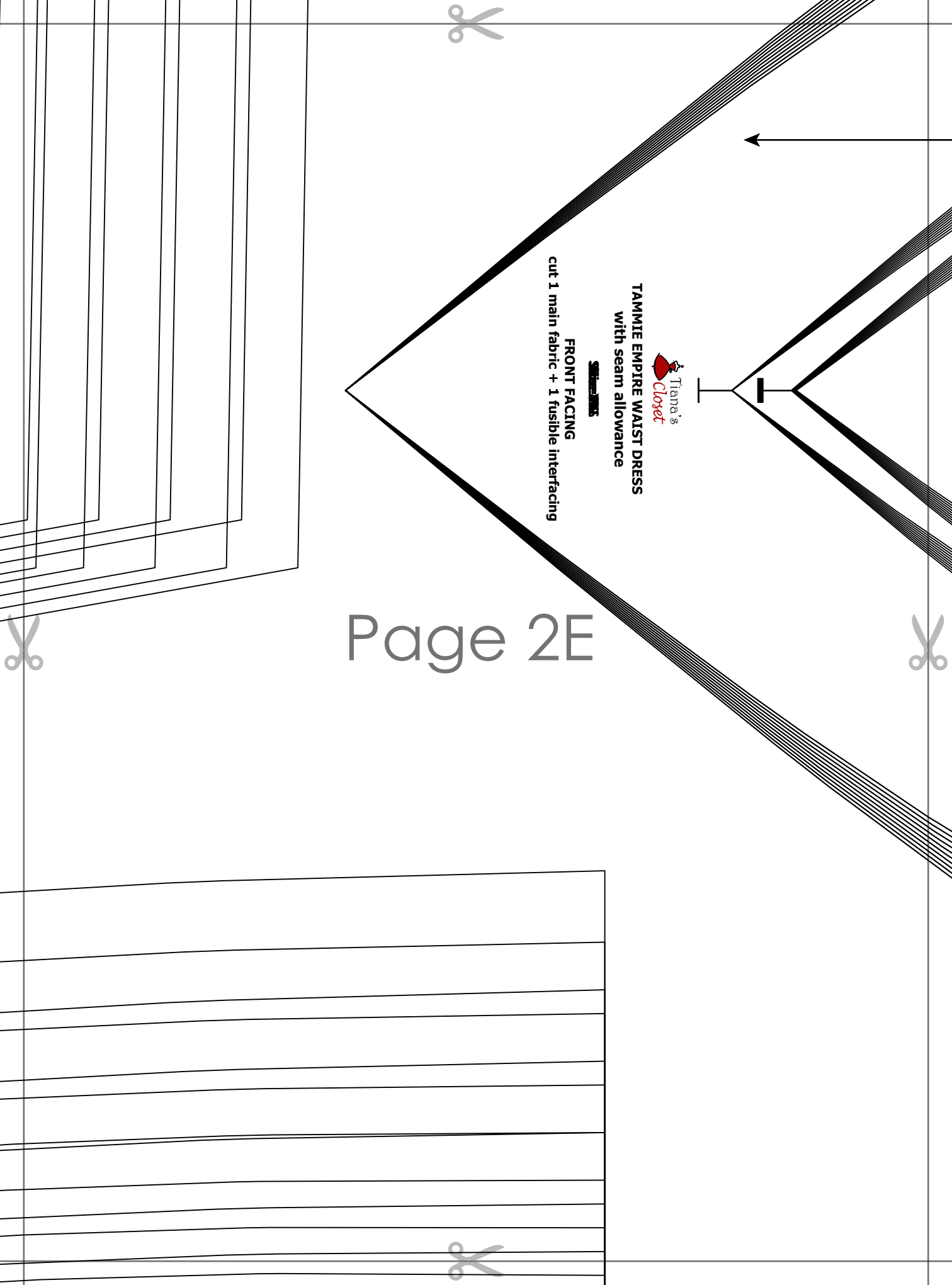
Page 2C





Page 2D

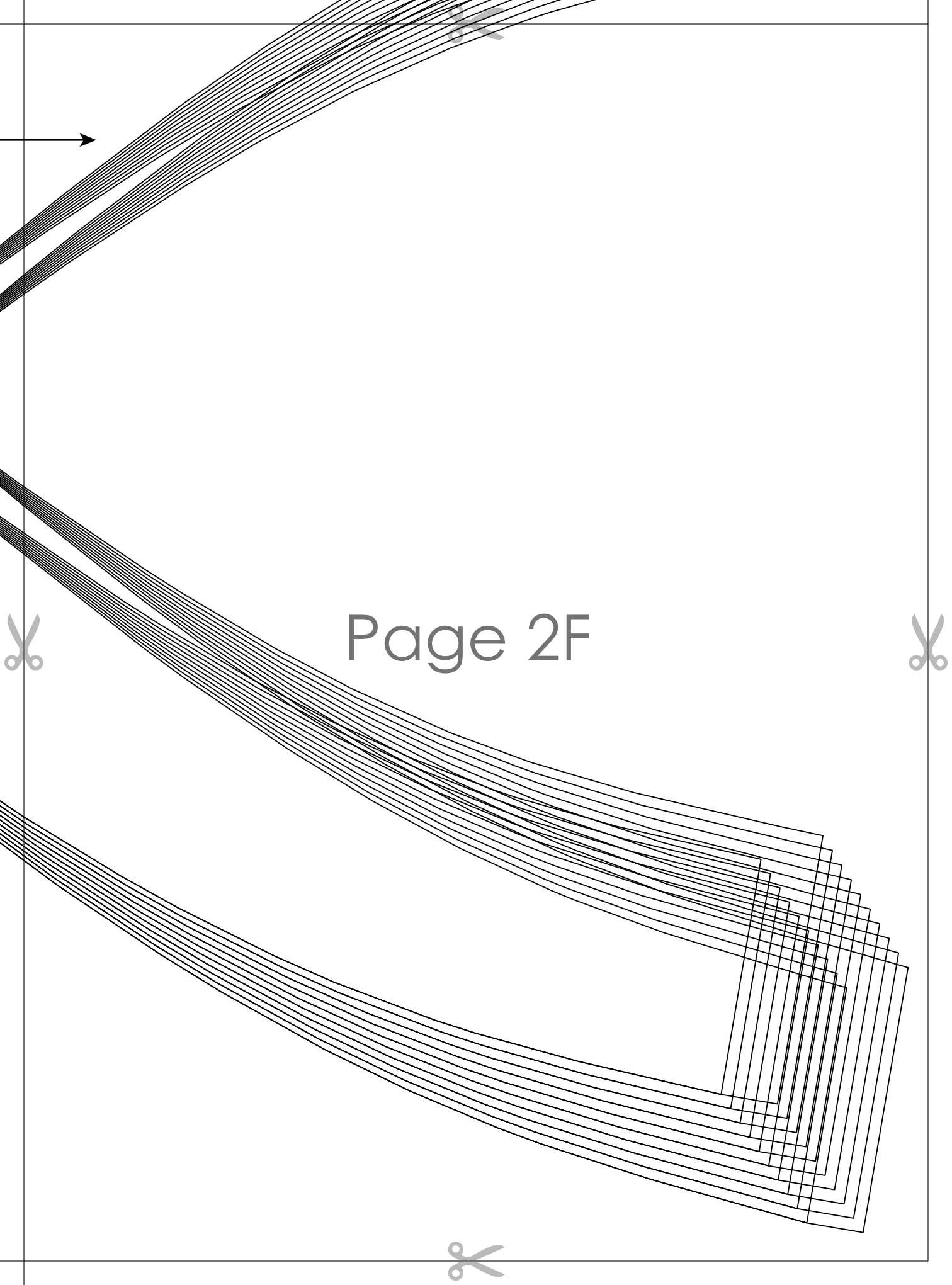




**TAMMIE EMPIRE WAIST DRESS**  
with seam allowance

**FRONT FACING**  
cut 1 main fabric + 1 fusible interfacing

Page 2E

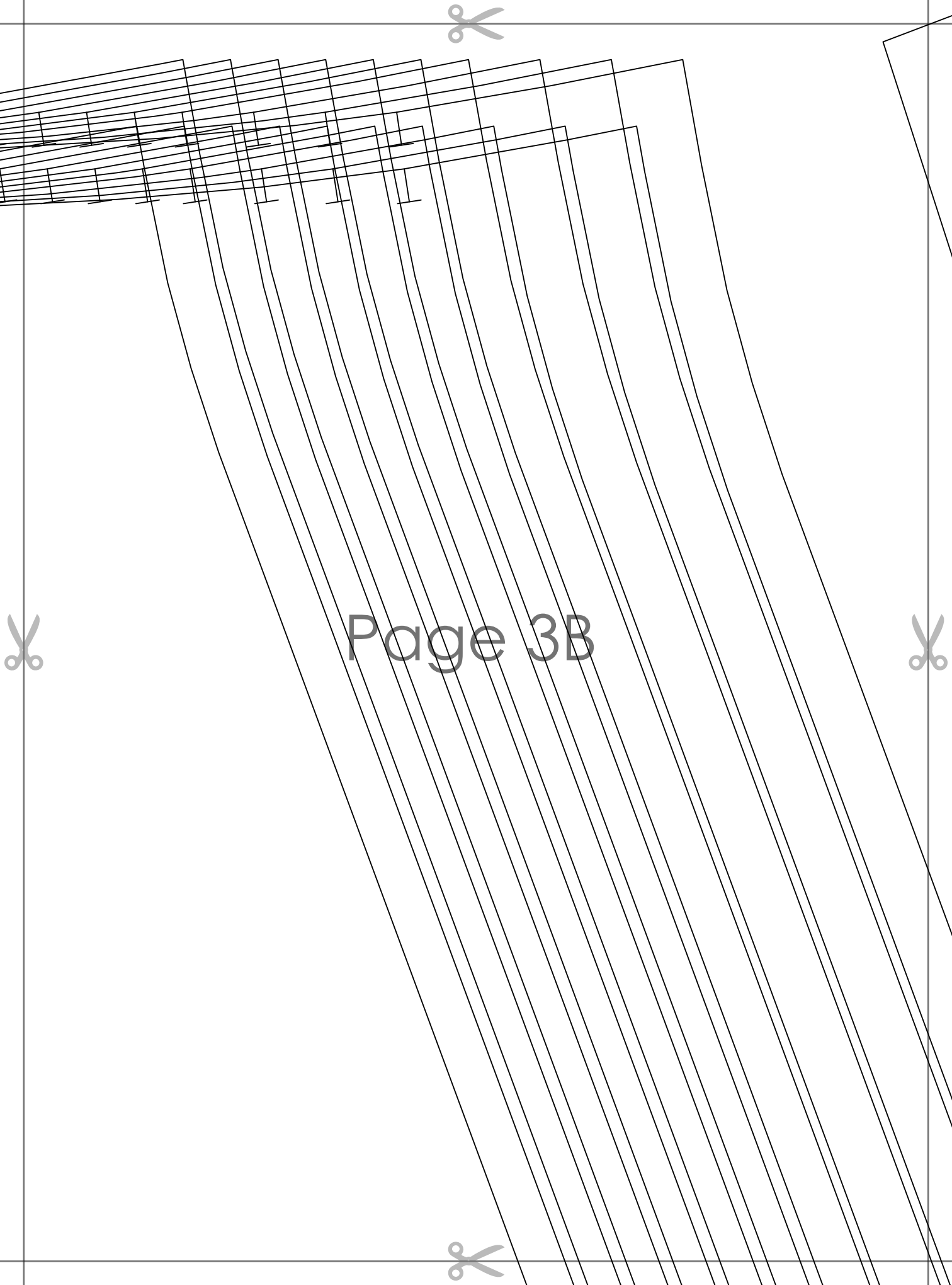


Page 2F



Page 3A





Page 3B



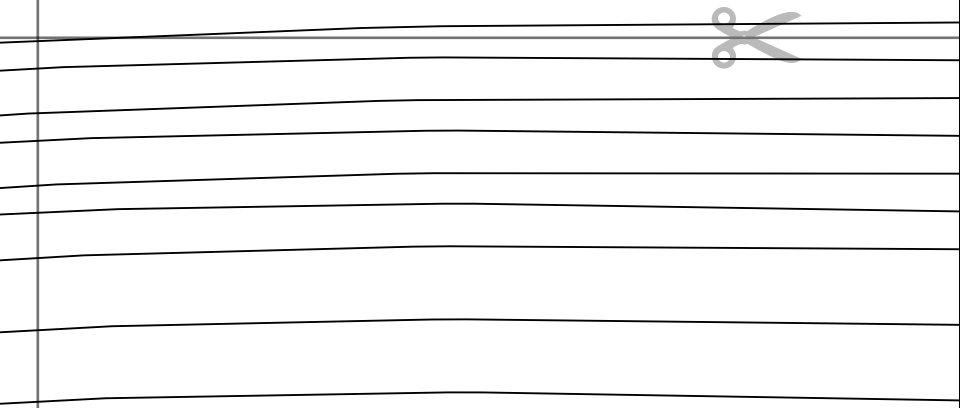
Page 3C





Page 3D





Page 3E





**TAMMIE EMPIRE WAIST**  
**with seam allowance**

~~Size 106~~

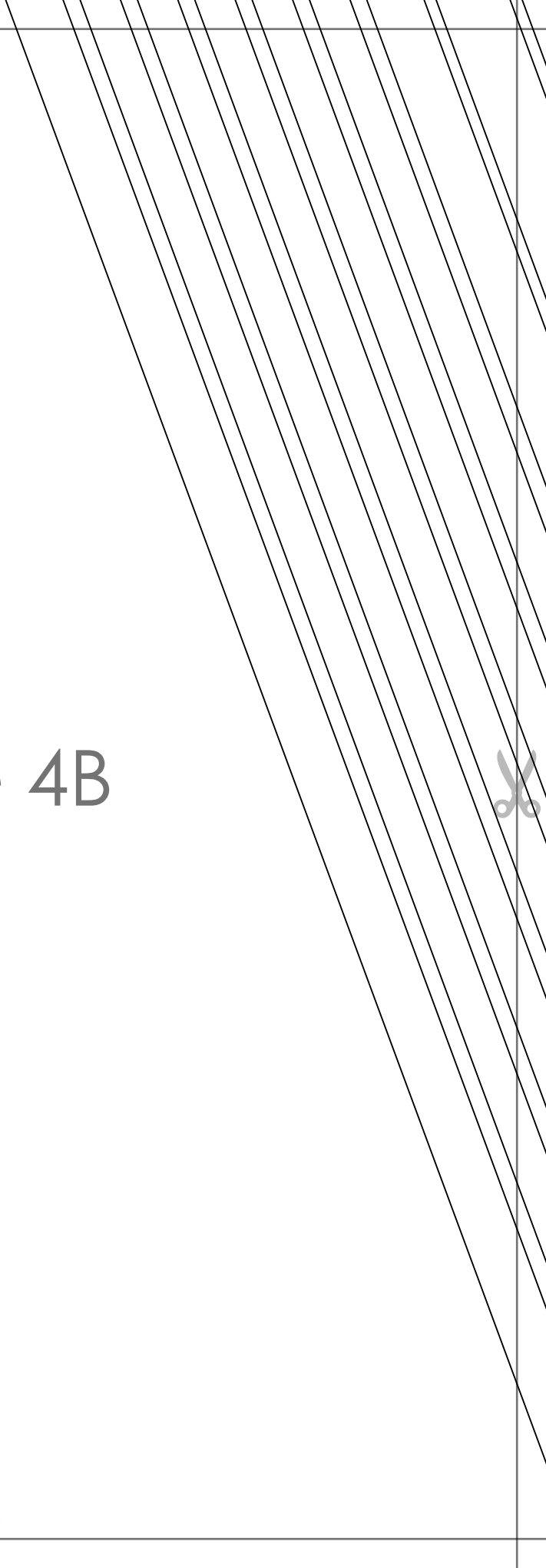
**BACK SKIRT**  
**cut 2**

Page 4A



**ST DRESS**  
**ance**

Page 4B



Page 4C



**ST DRESS**  
**ance**

Page 4D





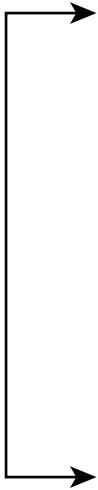
**FRONT SKIRT**  
cut 1 on fold

~~SKIRT PATTERN~~

**TAMMIE EMPIRE WAIST**  
with seam allowance



Page 4E





Page 5A

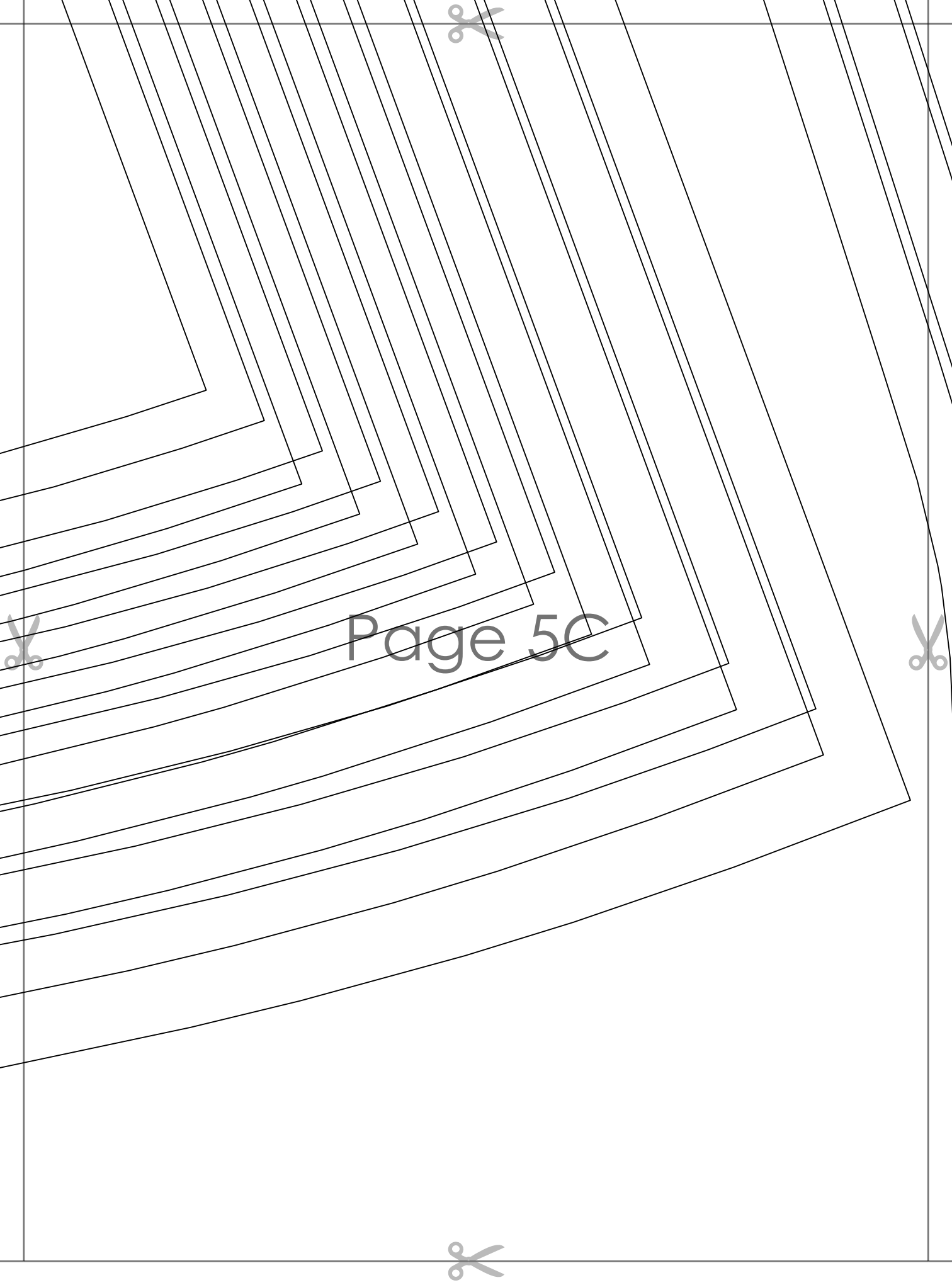






Page 5B

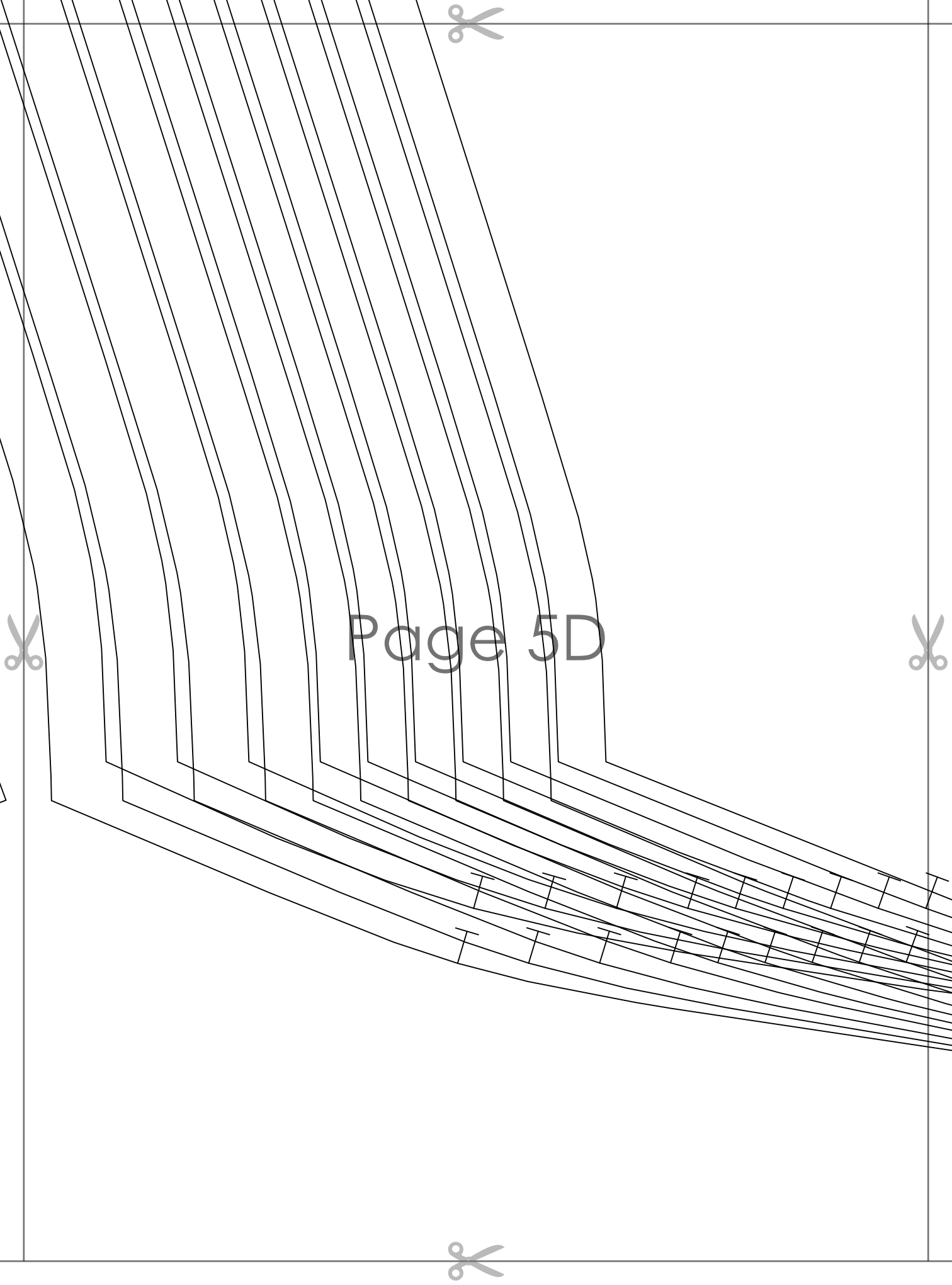




Page 5C



Page 5D





Page 5E

