



Easy Wrap Dress Pattern



This easy wrap dress pattern will allow you to be elegant in an effortless manner while giving you a dress that will survive many years. Those ladies that happen to have gone through the 70s would know this look well. A whole clothing empire was based on this design and since then all labels have at one point or another have had a wrap dress in their line.

The wrap dress is flattering to just about any figure if you know which style can benefit your body type.

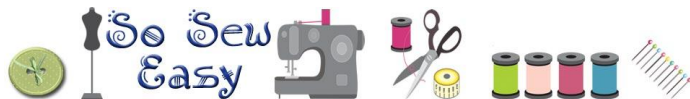
There are many varieties of a wrap dress, the one I am sharing with you is very easy to make yet flattering to curves because it has an A-line skirt, gathers at the bust to accommodate a larger bust, and gathers at the top of the shoulder to make room on your forearms should you require more room to move.

I hope your project turned out well and please leave your thoughts in the comments on our website.

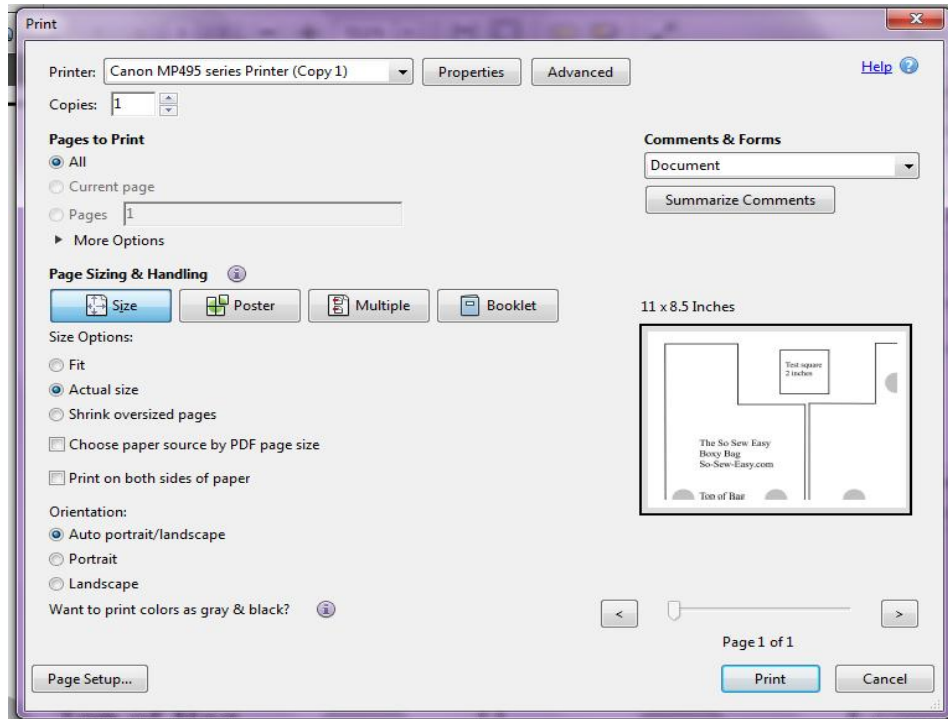
Experience level: Basic Intermediate

You can read more about this pattern over at So Sew Easy [HERE](#).

Find more great sewing patterns at So Sew Easy – <https://so-sew-easy.com>



To print your PDF pattern



Your pattern pieces come at the end of these instructions. For accurate printing, please make sure you are using the latest version of Adobe Reader. You can [download the latest version here](#) if you need to.

Select File → Print and the print dialogue box opens. Under Page Sizing and Handling, select ACTUAL SIZE. Check the preview in the right hand side illustration. Select the page numbers you want to print. You can print the whole document, or just the pattern pieces.

On the edge of the top left page is a box you can use to test your printing. This box should measure 2 inches square. If yours is wildly different you will need to check your printer options to make sure the pages are not being resized.

Use the grey guides on the overlap of the sheets to match up the pattern pieces, folding under or cutting off any overlaps, tape together and cut out your pattern pieces.

Help printing and assembling your pattern

You can find helpful tutorials on how to download, print and assemble PDF sewing patterns here:

[How to download and print a PDF sewing pattern](#)

[How to print and assemble a PDF sewing pattern](#)

Find more great sewing patterns at So Sew Easy – <https://so-sew-easy.com>

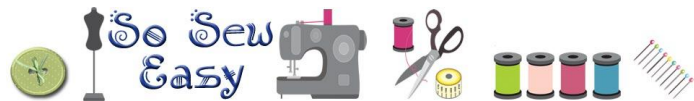


Materials

- 2 1/2 to 3 1/2 yards of double knit fabric
- jersey [ballpoint needle](#) 80/12
- thread to match
- 1 yard of 1/4 to 3/8 elastic

Tools

- sewing machine
- serger



Find more great sewing patterns at So Sew Easy – <https://so-sew-easy.com>

Thank you for downloading this pattern and tutorial. I hope you enjoyed making this project and remember that I love to see what you made so do upload your completed projects on Instagram and use #soseweasyofficial.

Keep up with all the latest news and sewing projects at [So Sew Easy](#).

We also have a really great sewing chat group where you can ask questions, share your completed projects, and get 24 hr sewing inspiration. It's not just for So Sew Easy projects – you can chat about all sewing there, whether a newbie just starting out, or an advanced and experienced sewer, there's something for everyone in the sewing chat group. Join us here.

[SEWING CHAT GROUP](#)

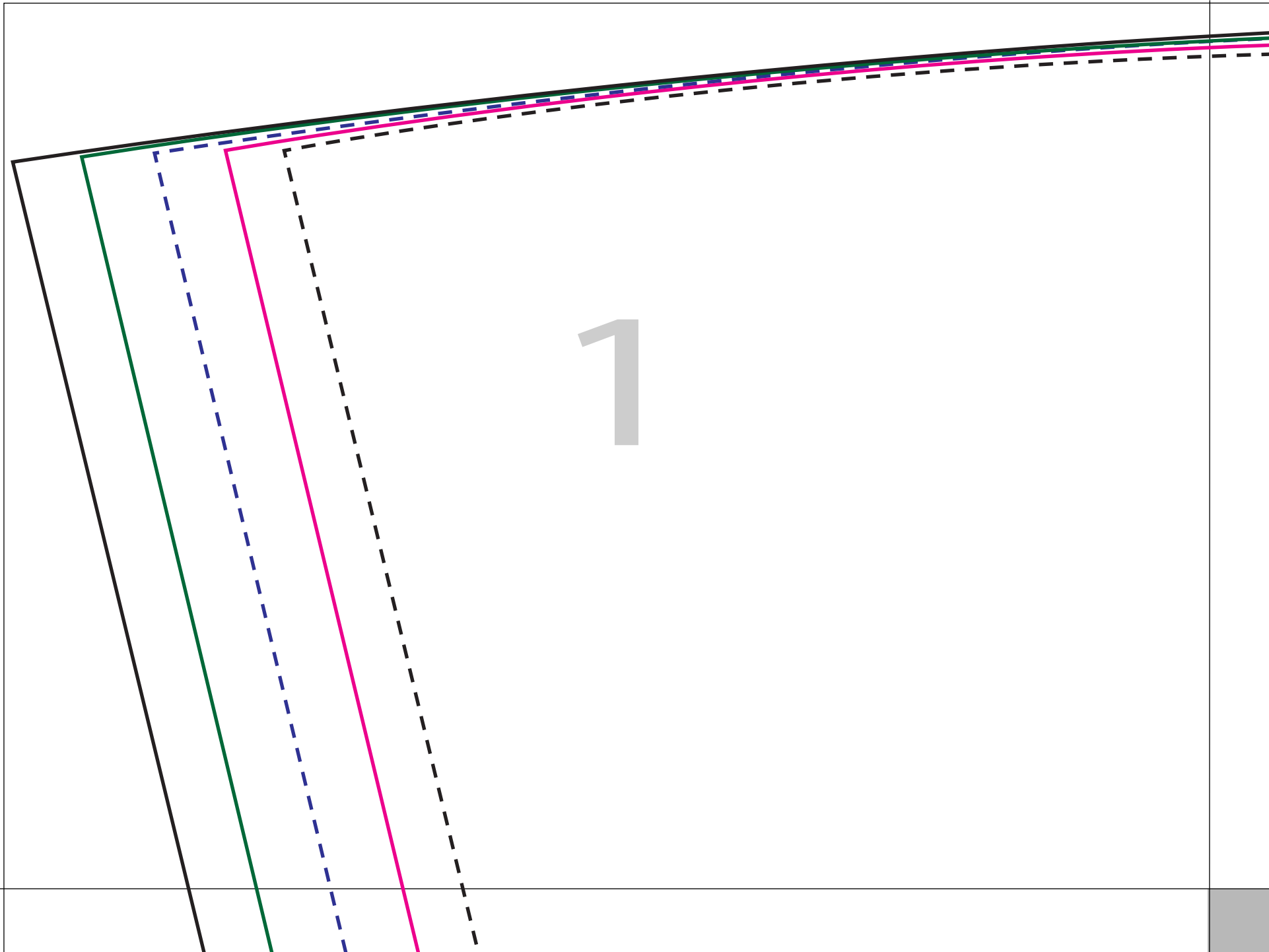
If you'd like to help support our site so we can continue to produce patterns like this one, pop on over to our [Kofi page](#) and buy us a hot cup of joe.

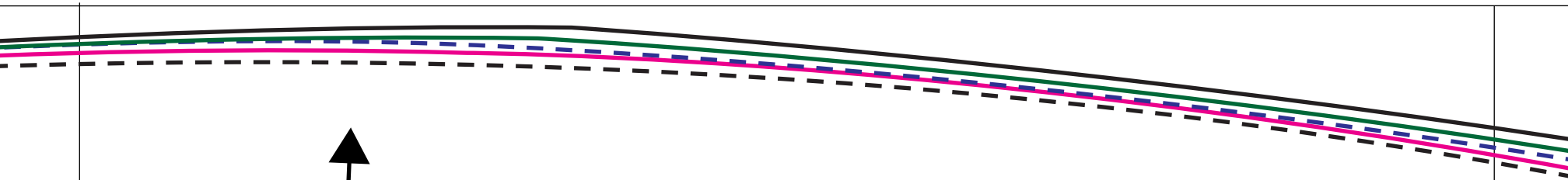
This pattern graphic, the photos and the instructions are copyright So Sew Easy Pte Ltd and protected by law. All rights reserved. Please do not copy, publish, sell, redistribute or alter them in any way. Please don't print and give to your friends, or send it to anyone by email. Please do not rebrand this work as your own and sell or give it away, even if altered. This is intended for your personal use. If you would like to recommend these instructions, please pass on the original download link at So-Sew-Easy.com. Thank you for your understanding.

Usage – you ARE allowed to use this pattern to make things to sell on a small handmade basis, such as for craft fairs and for your Etsy shop. However, it may not be used for larger scale commercial purposes without a commercial license.

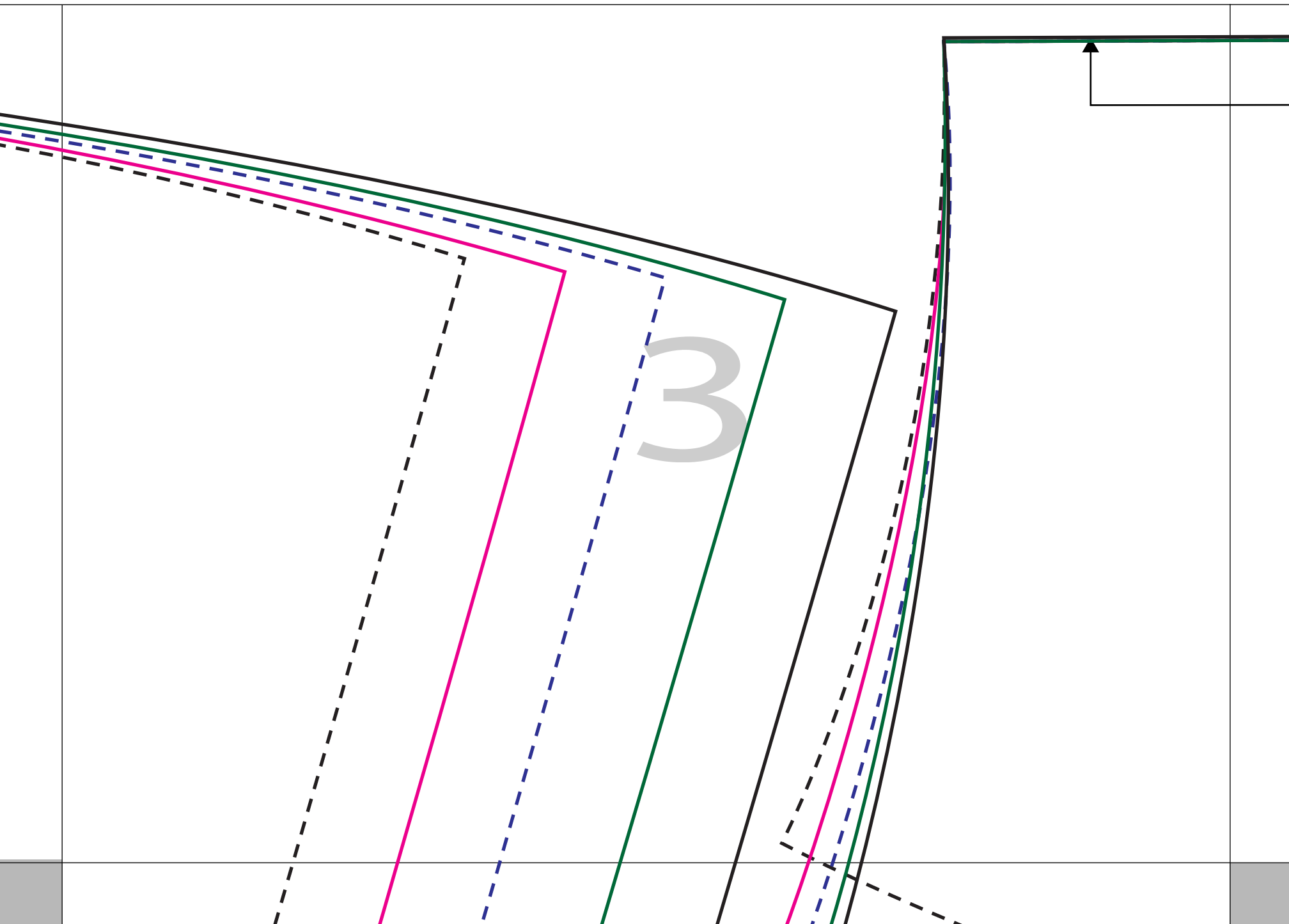
Find more great sewing patterns at So Sew Easy – <https://so-sew-easy.com>







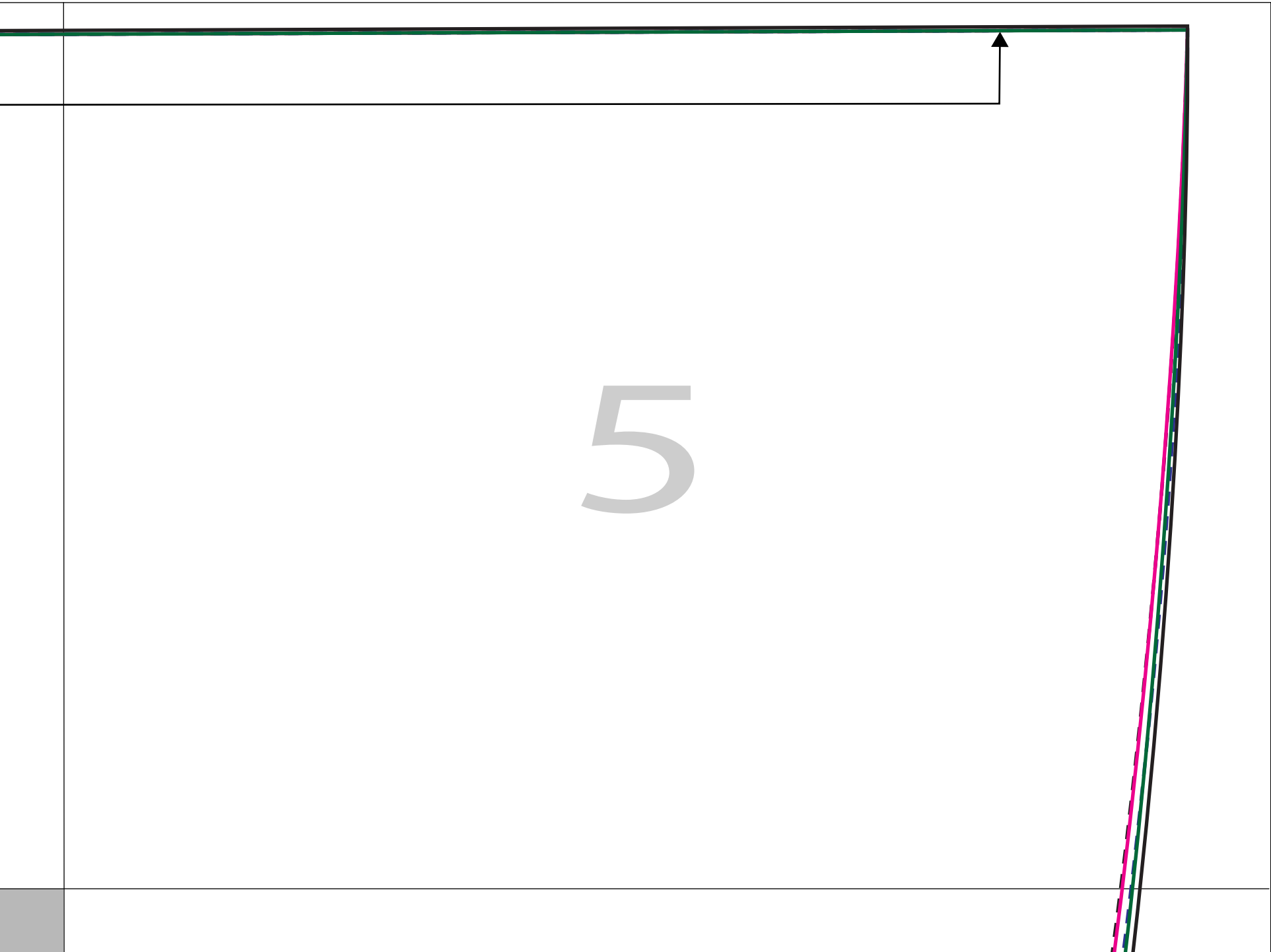
2



Back Skirt
Cut One on Fold
So-Sew-Easy.com
Copyright 2021

4

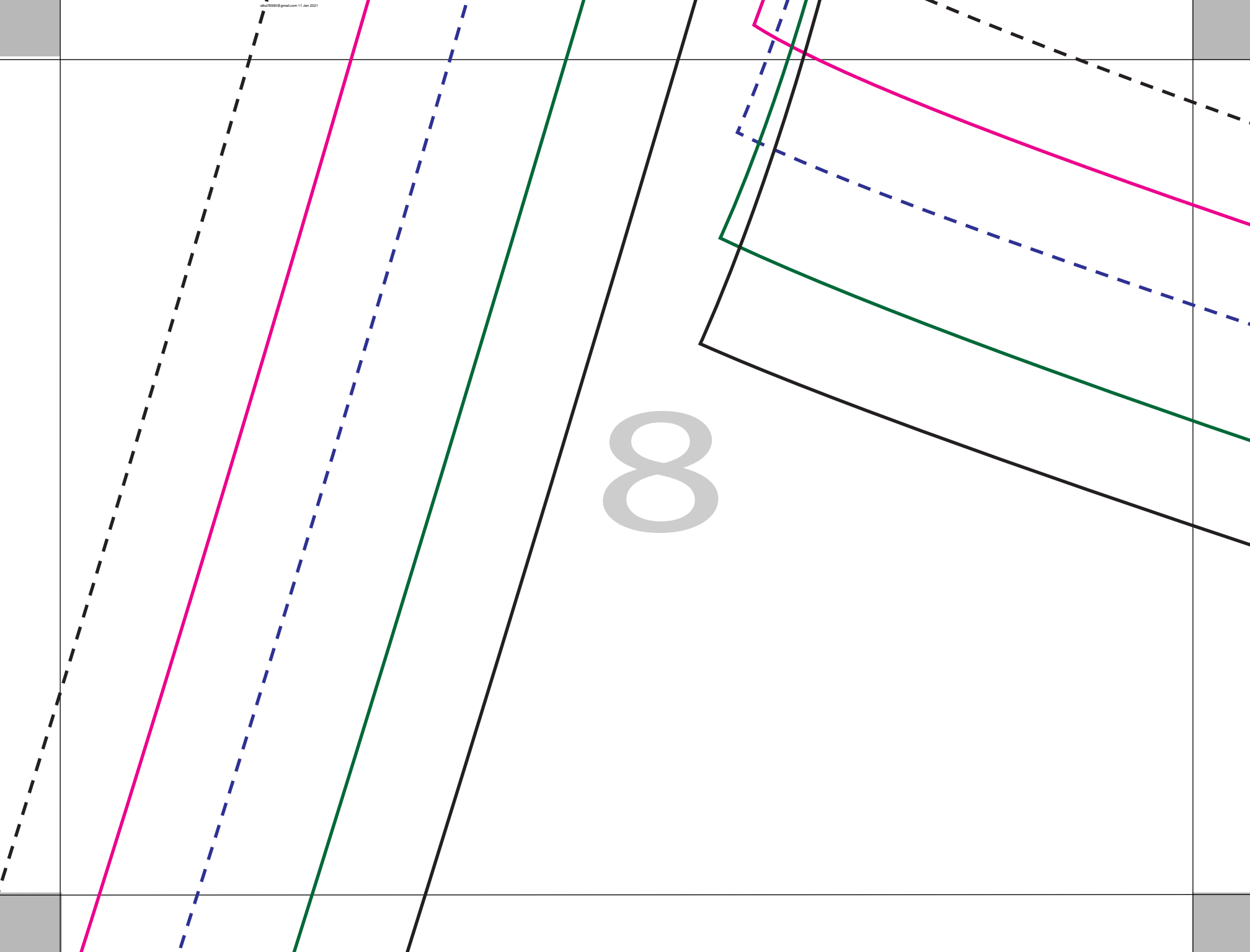
5

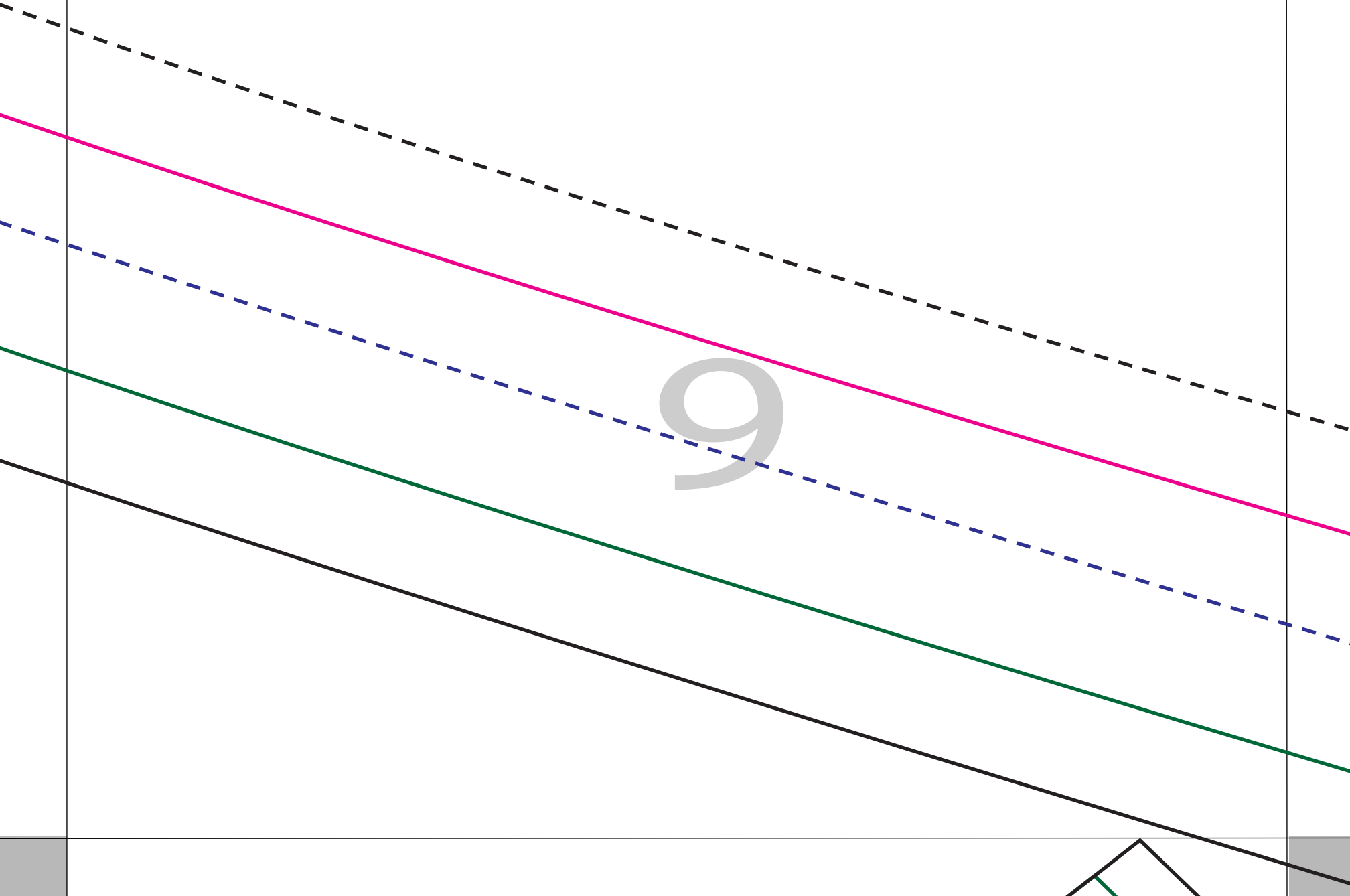


6

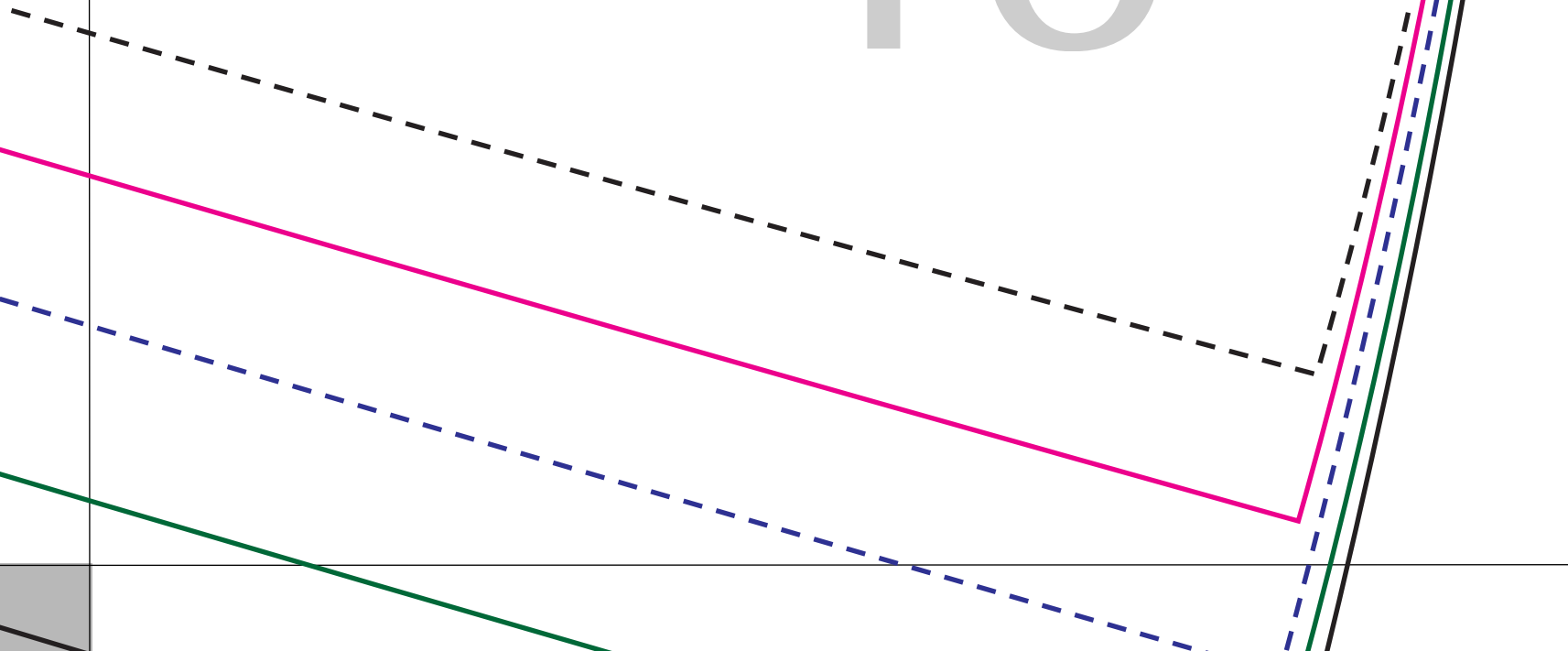
7

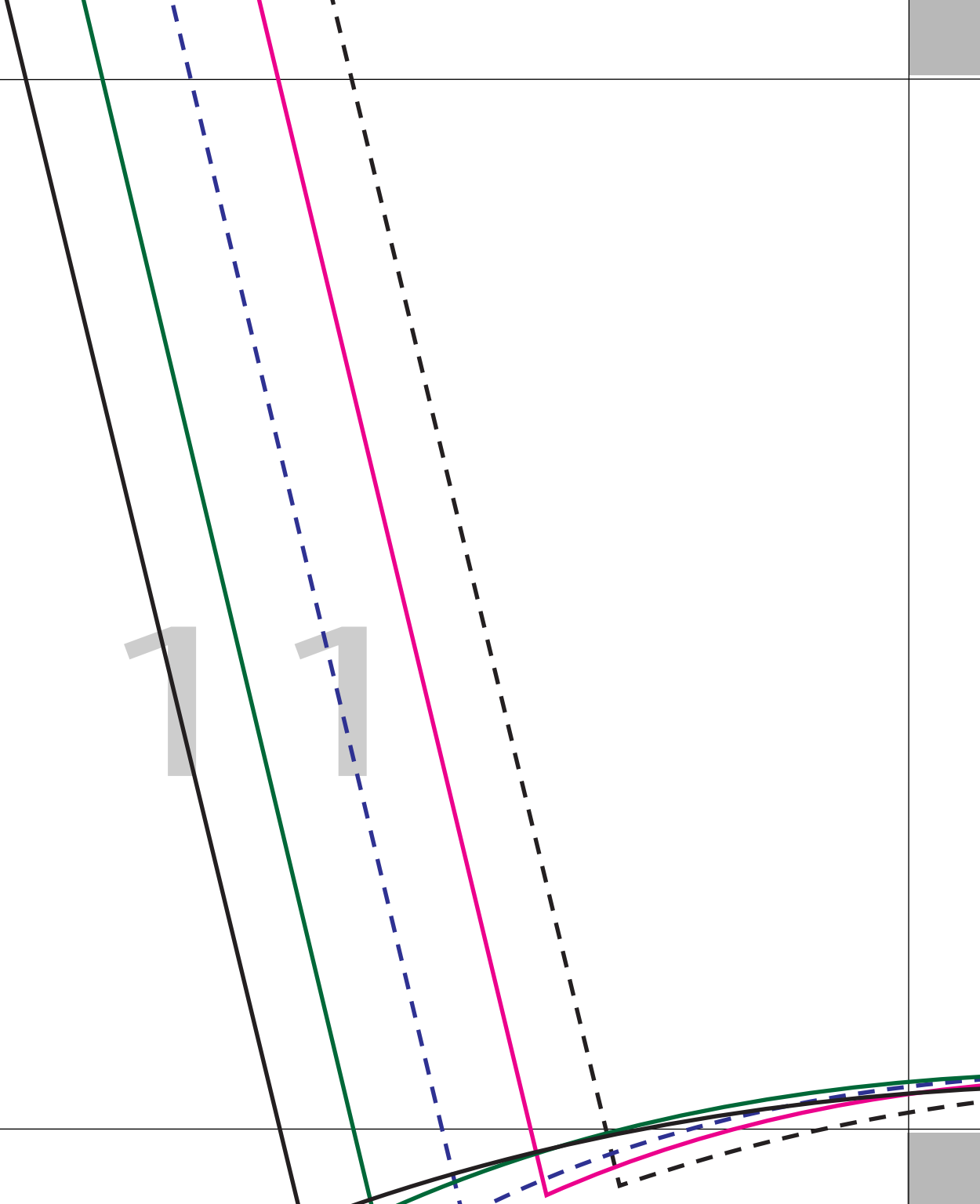
8





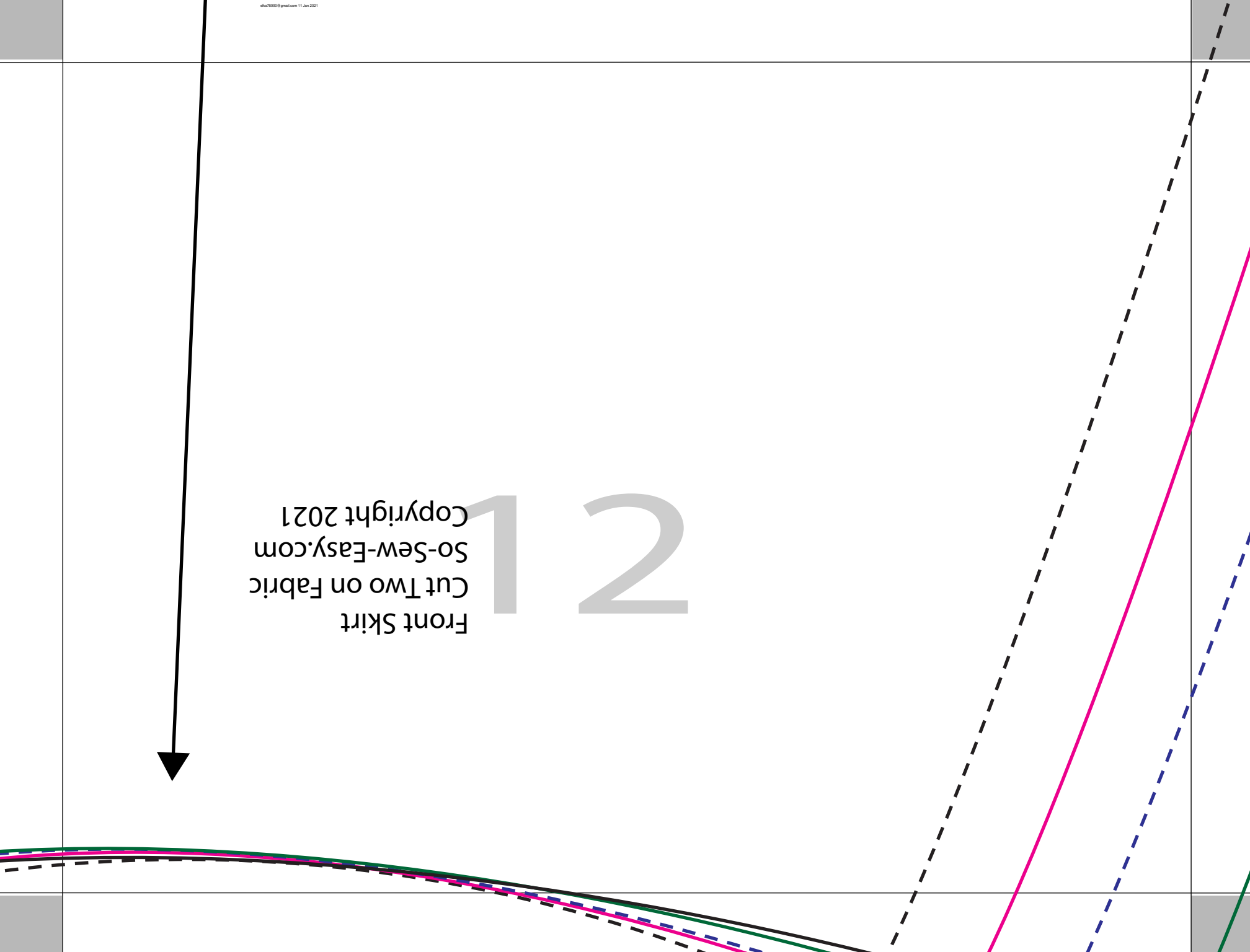
10



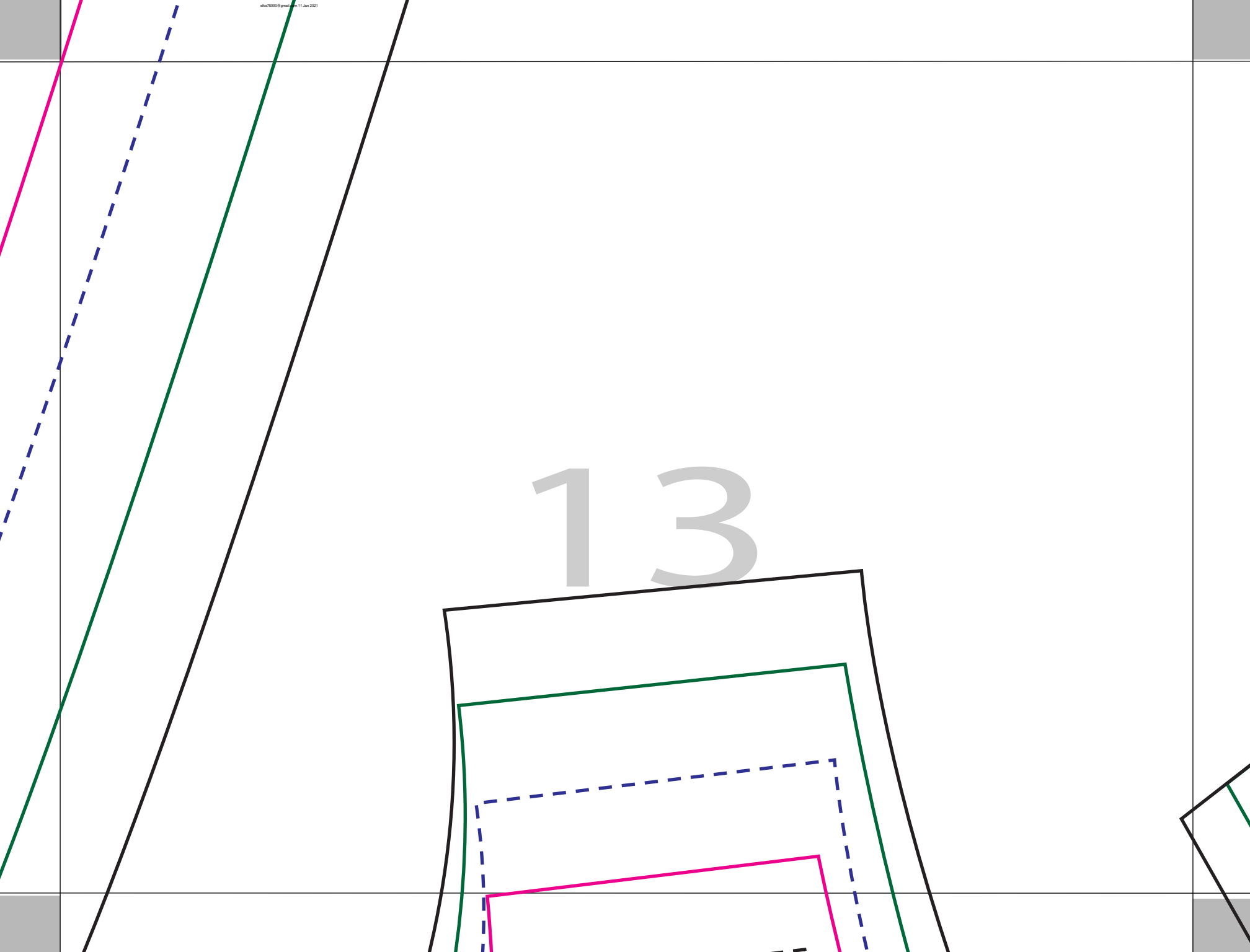


Front Skirt
Cut Two on Fabric
So-Sew-Easy.com
Copyright 2021

1 2

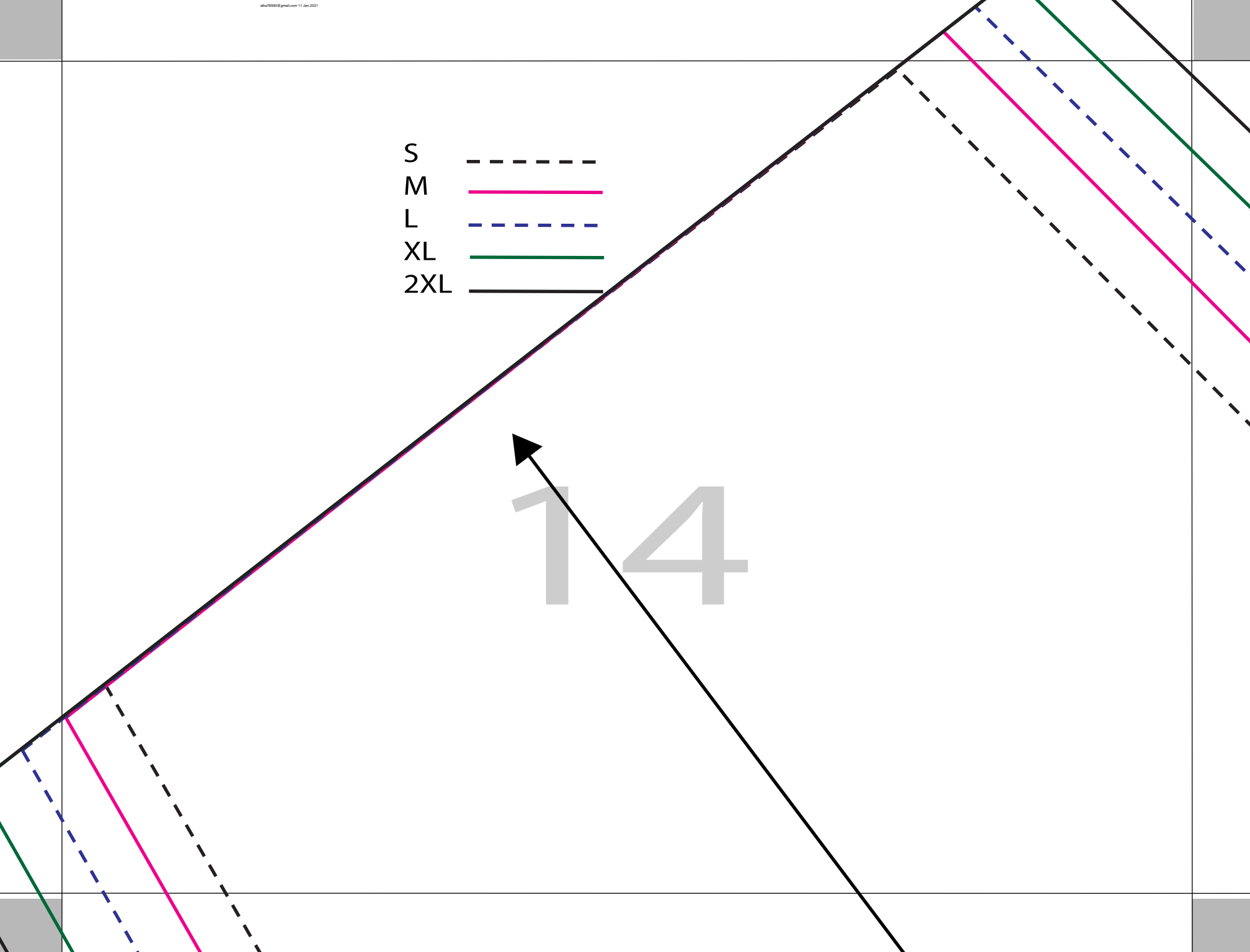


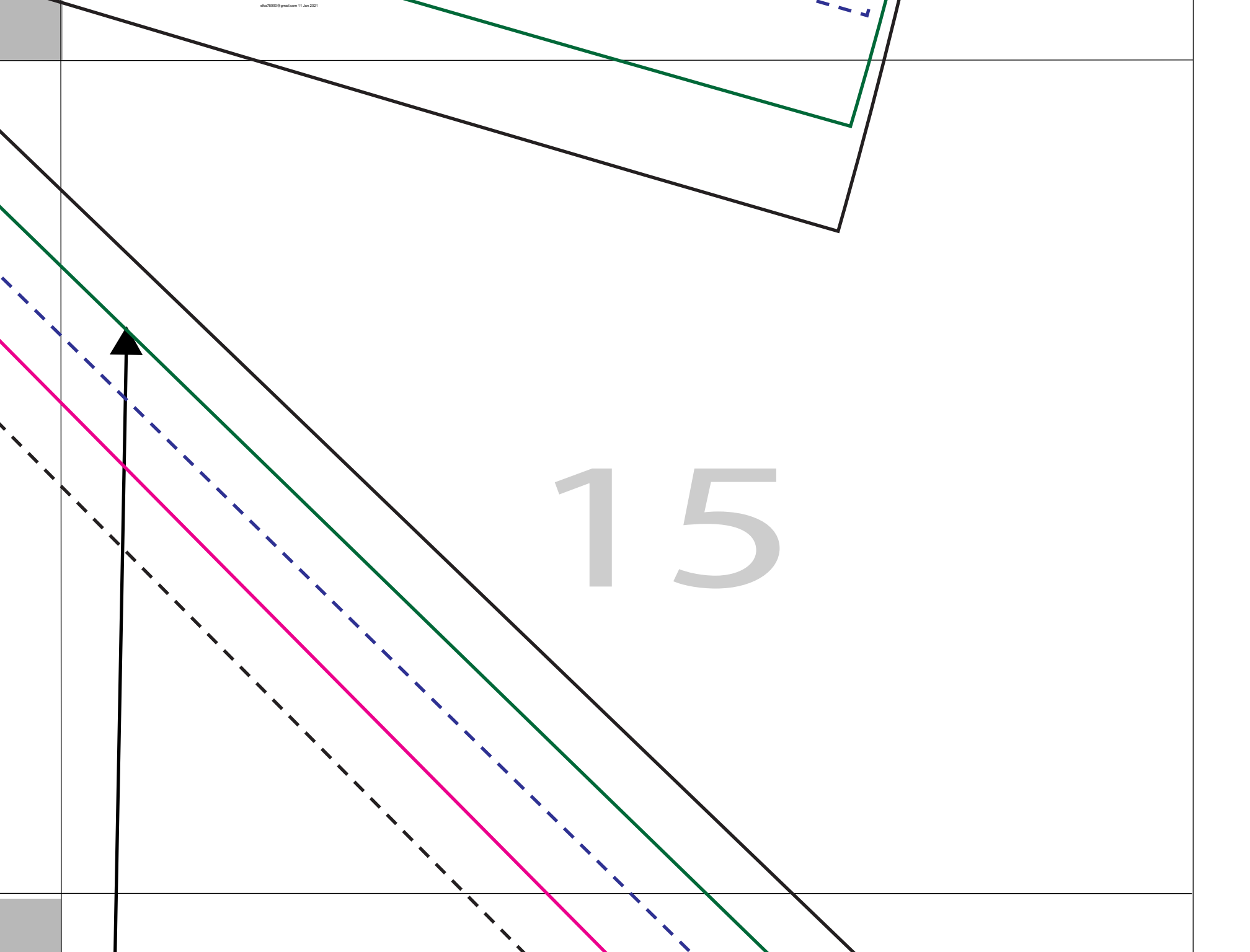
13



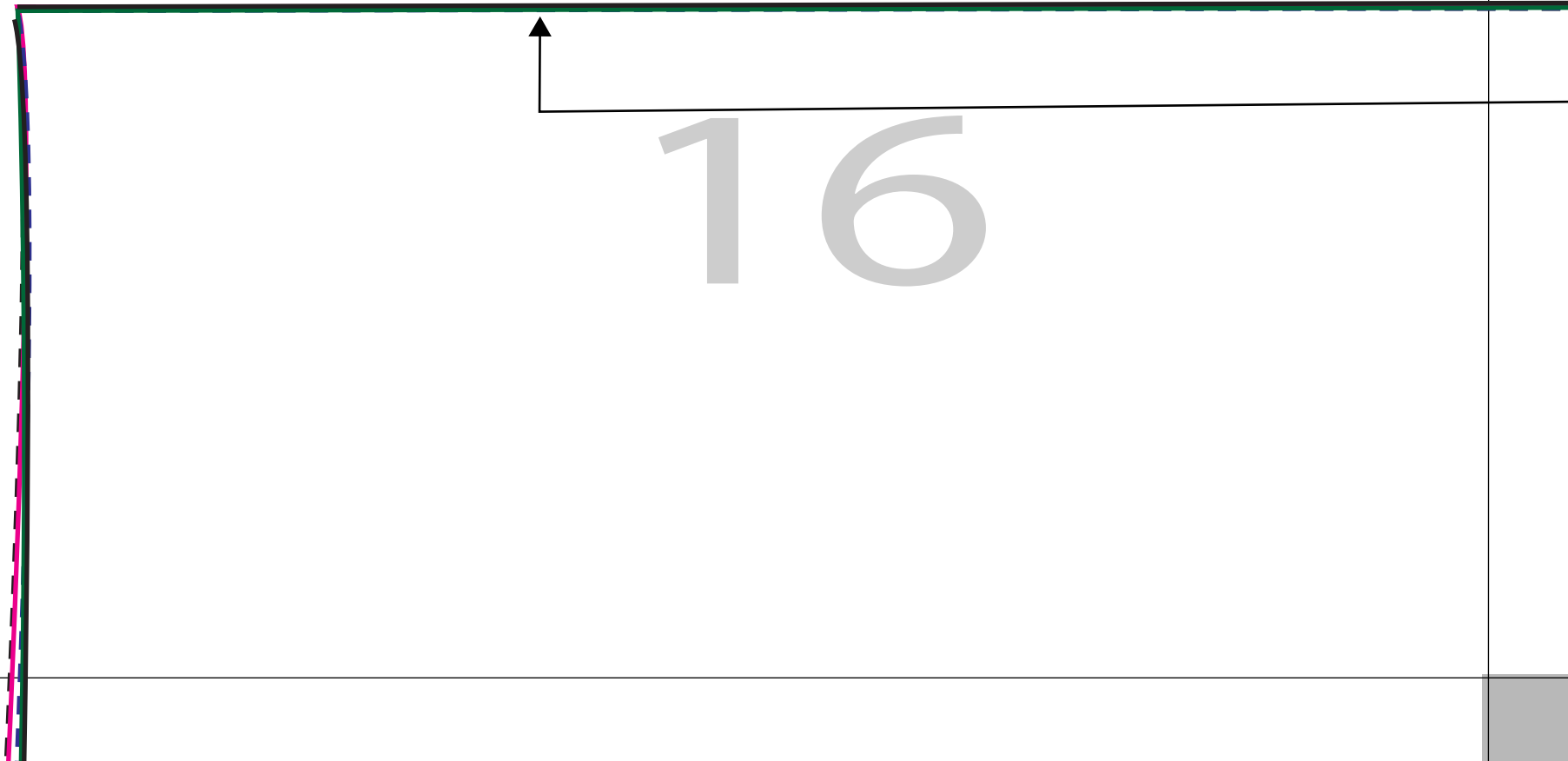
S - - - - -
M _____
L - - - - -
XL _____
2XL _____

14

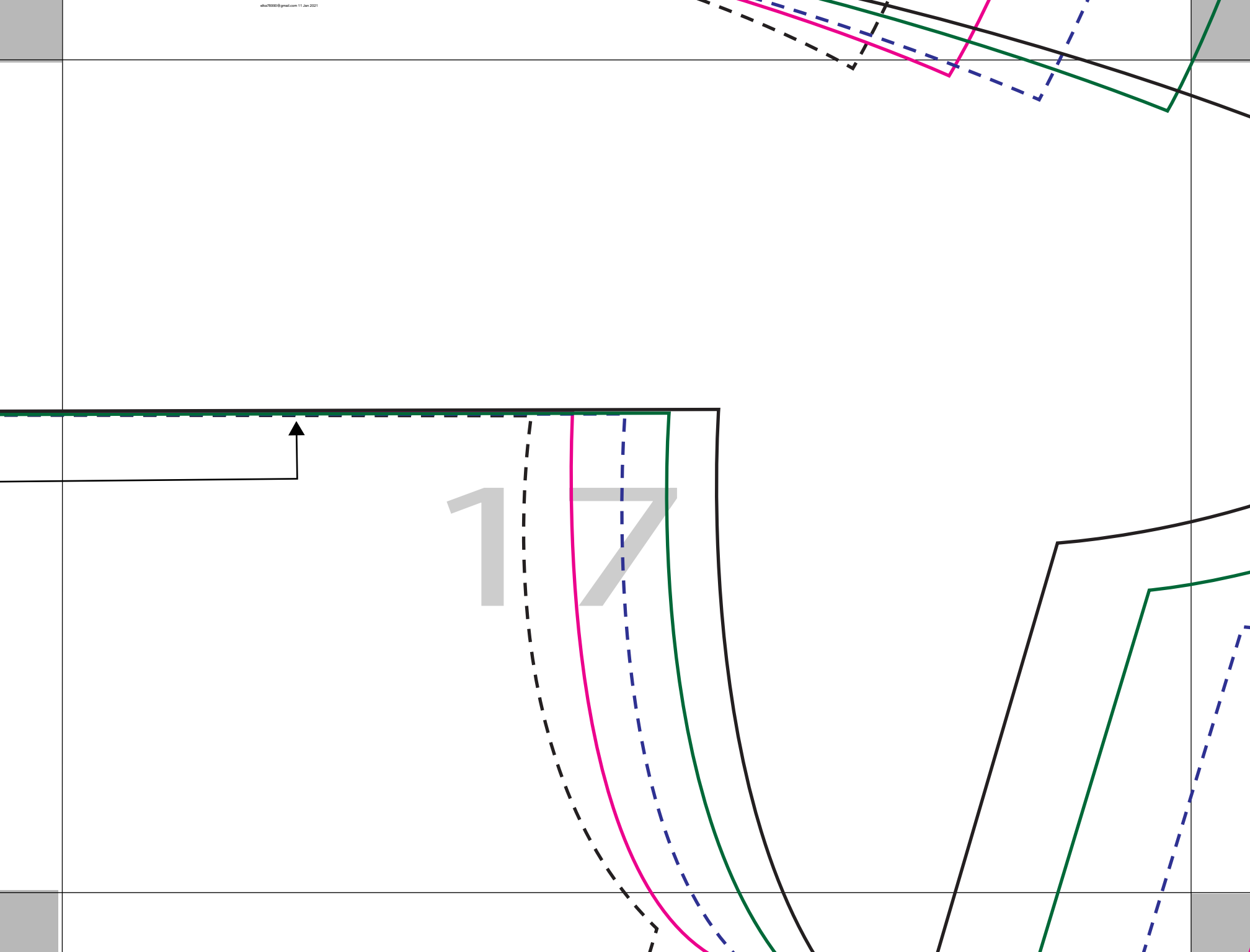




15

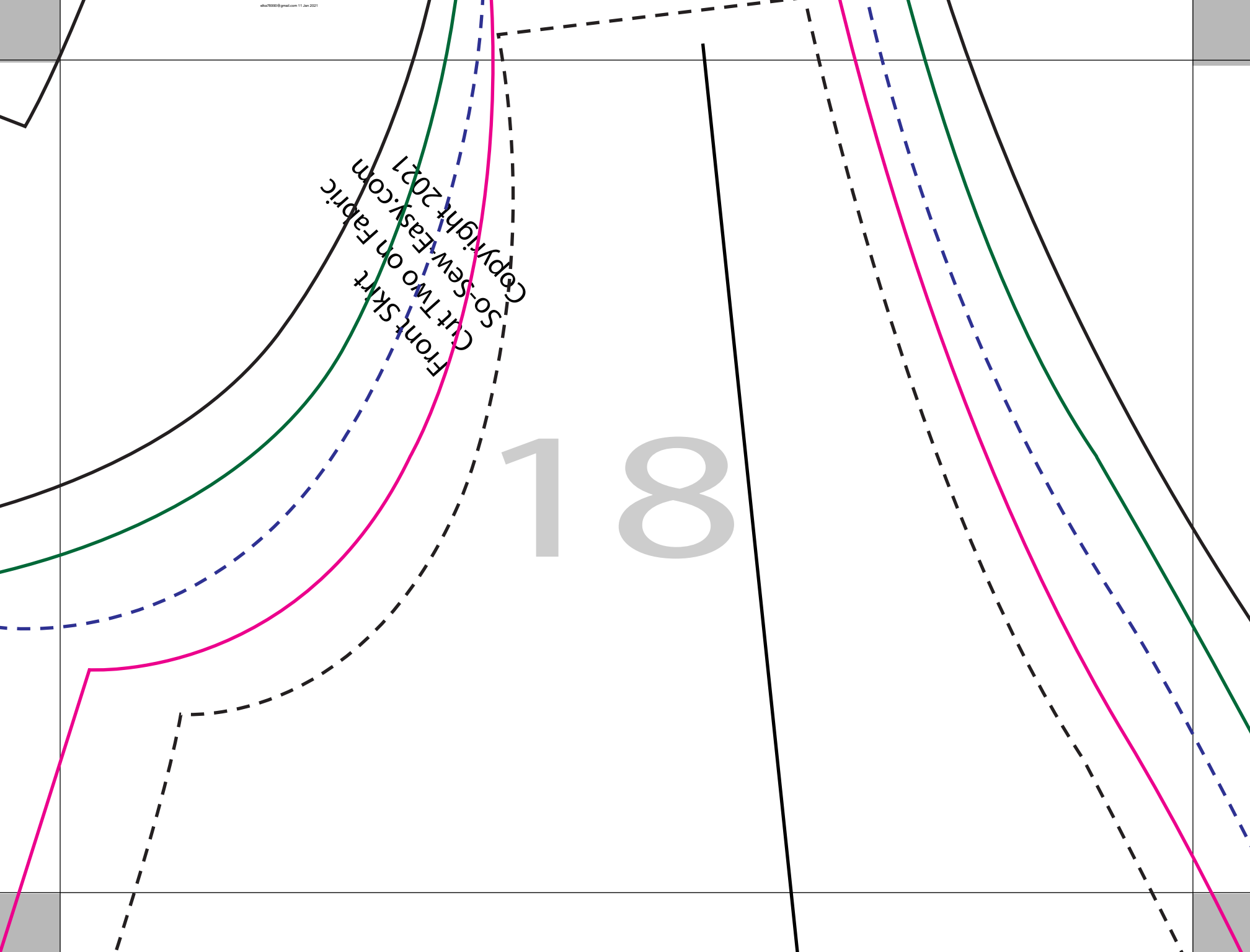


16



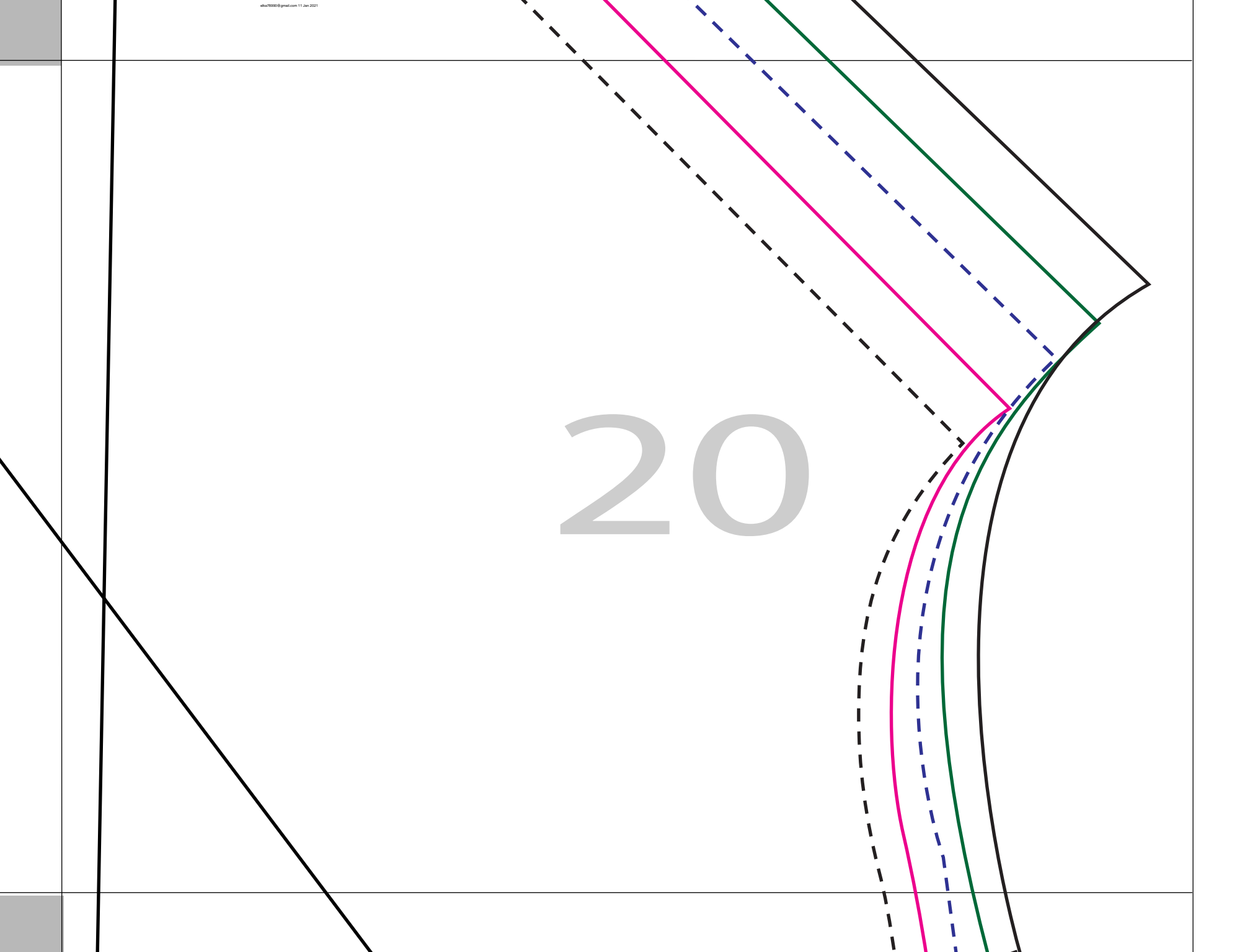
Copyright 2021
So-Sew-Easy.com
Cut Two on Fabric
Front Skirt

18



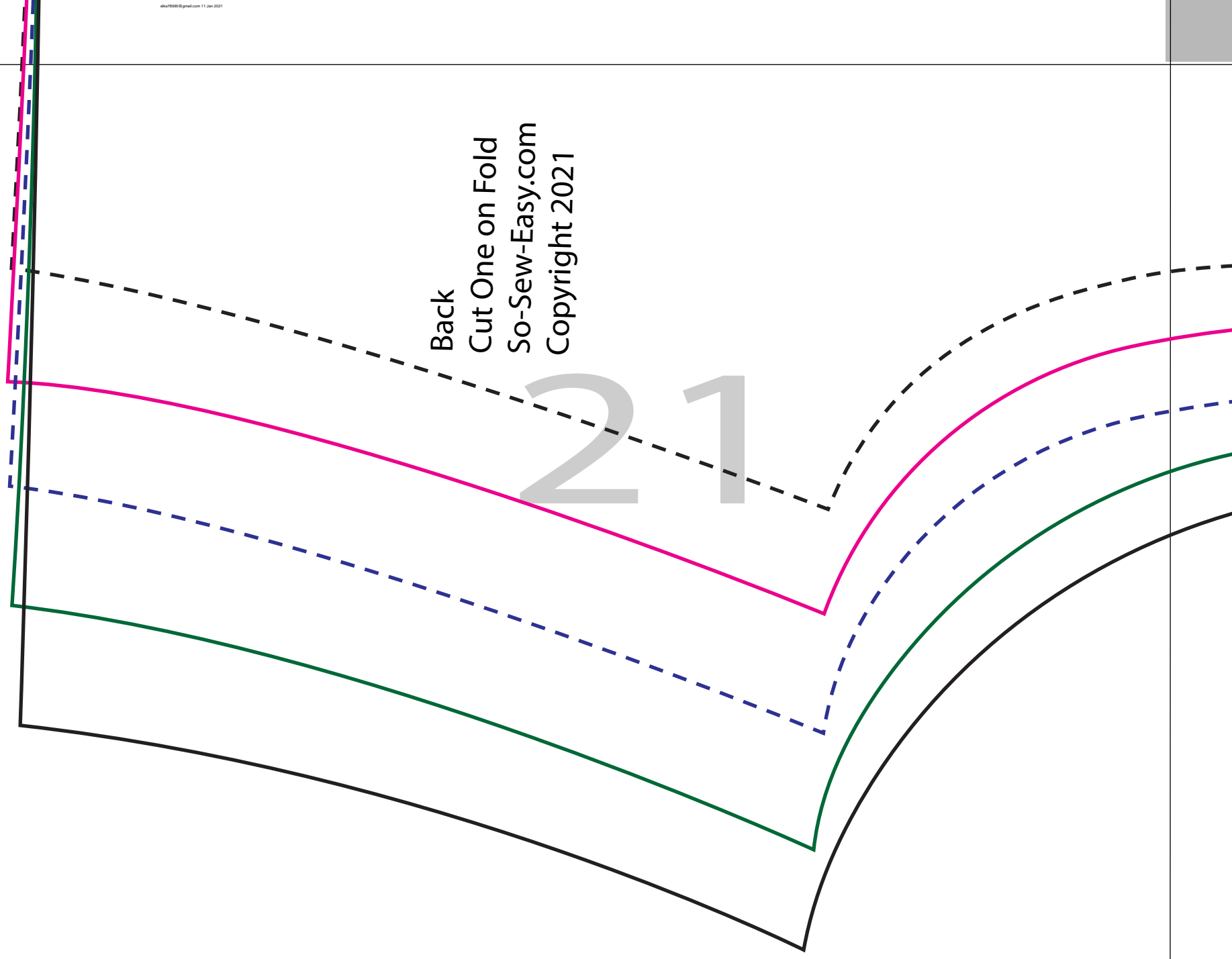
19

20



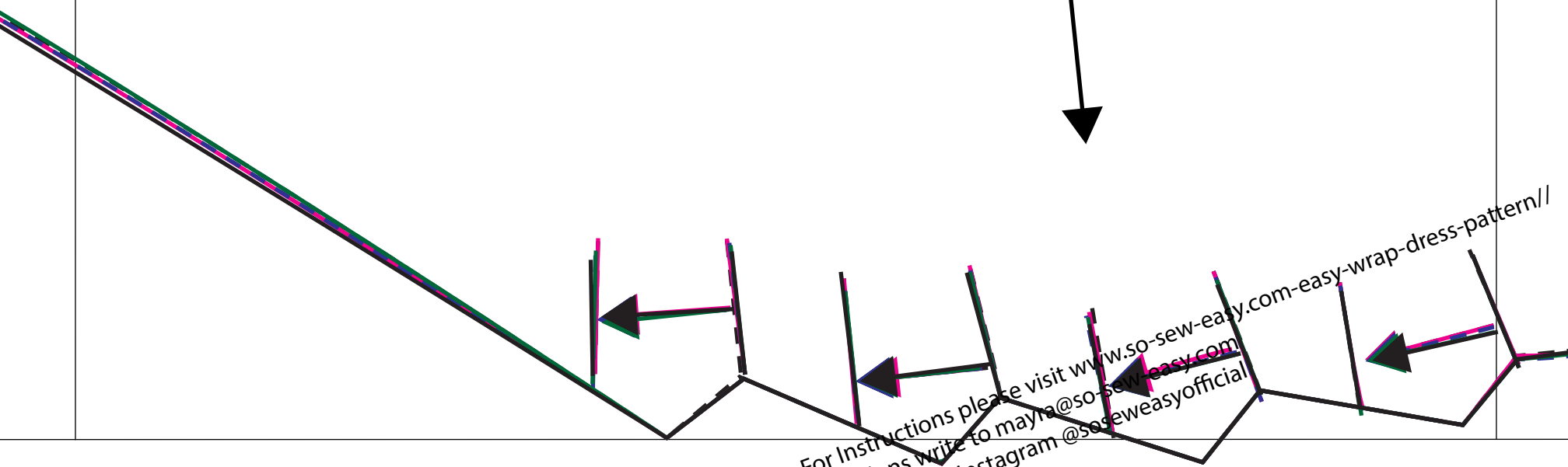
Back
Cut One on Fold
So-Sew-Easy.com
Copyright 2021

21

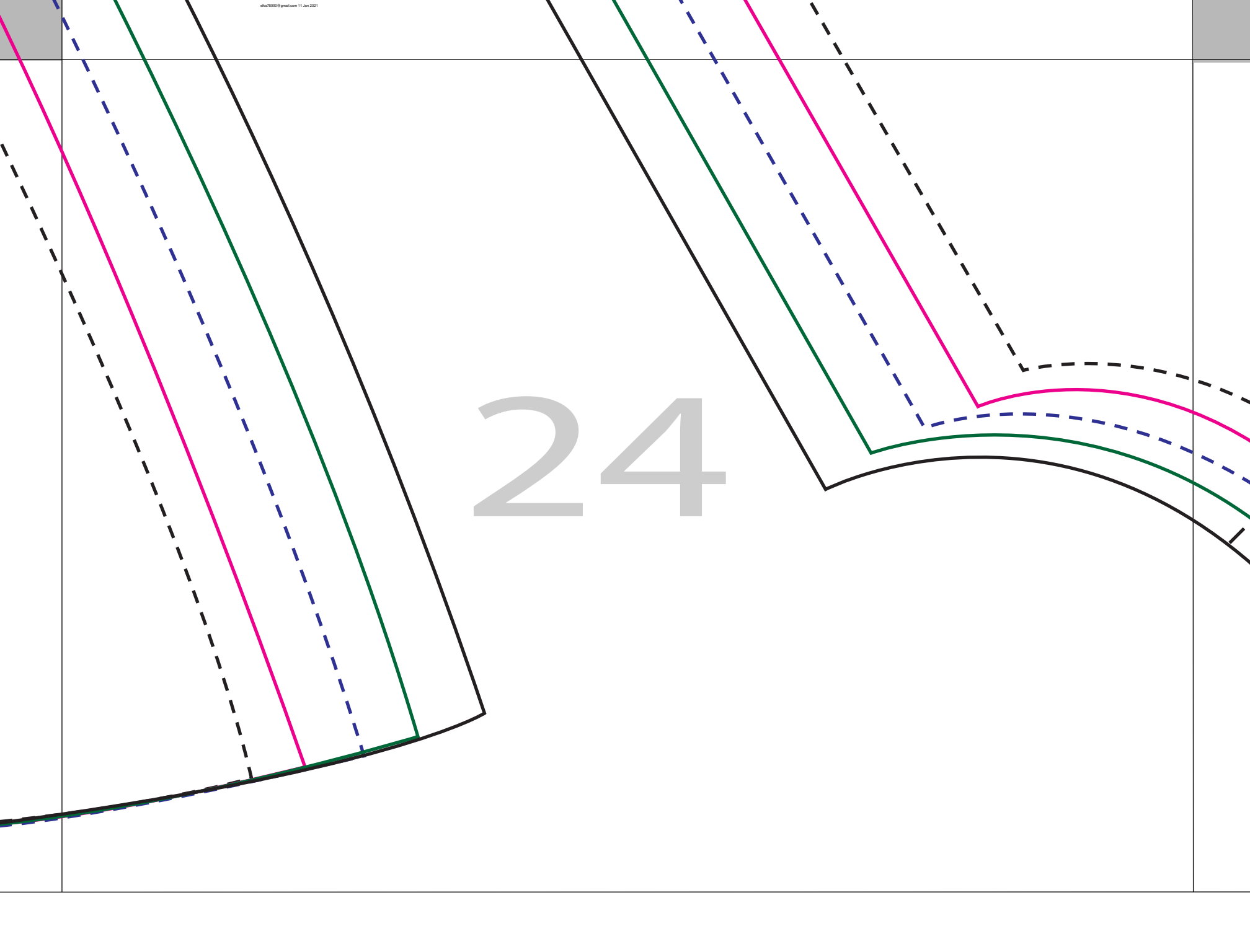




23



24



Sleeve
Cut Two on Fabric
So-Sew-Easy.com
Copyright 2021

Stretch between
this marks

25

Kalinda
Easy Wrap Dress
Square Test
2"X2"
So-Sew-Easy.com
Copyright 2021