



## Unisex Scrubs Pants Pattern



This unisex scrubs pants pattern will come very handy if you need to look after a sick person suffering from a contagious illness. With the novel coronavirus spreading, and medical equipment hard to get ahold of, homemade protection may be the best you can do.

Last year during the winter, I caught the worst case of the flu that I've ever had. Thankfully my daughter was there to help me through it, bringing me warm drinks and making the meals. But, unfortunately, within four days she had caught the flu herself. Had she worn a mask and regularly changed her clothing, it may have been a different story. Now there is more at stake, and we want to be ready just in case one of us comes down with something. We've already [made a mask](#), and now I'll show you how to make some bottoms that are easy to change out of, wash, and can be made in no time.

These pants have one large pocket on the side, an elastic waistband with a cord, and enough room to move around in. This will make this a very pair of comfortable bottoms for anyone in your family.

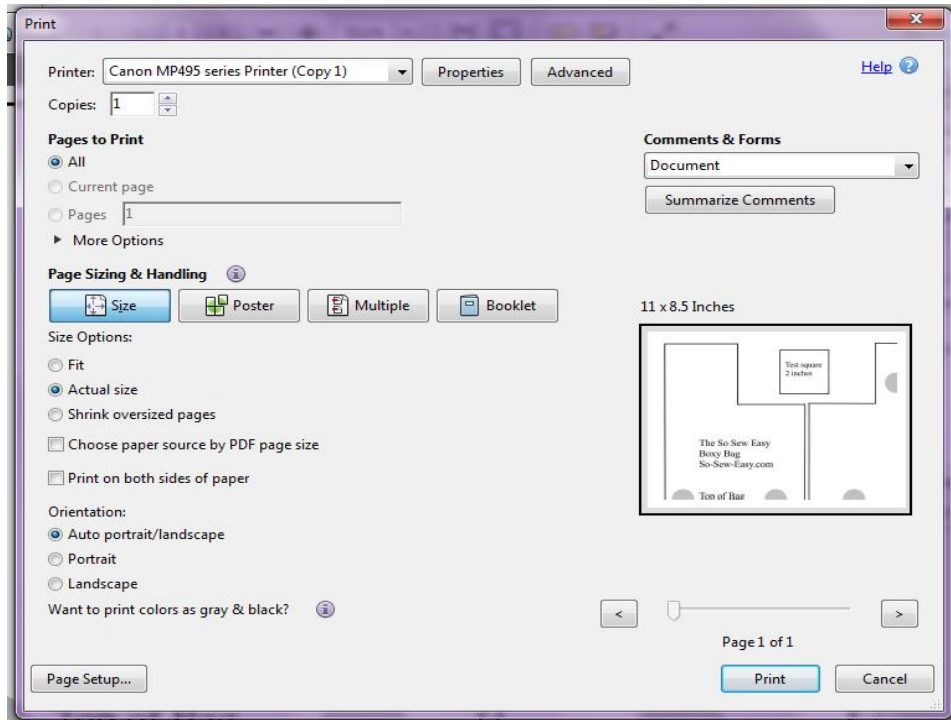
**Experience level: Intermediate Beginner**

You can read more about this pattern over at So Sew Easy [HERE](#).

Find more great sewing patterns at So Sew Easy – <https://so-sew-easy.com>



## To print your PDF pattern



Your pattern pieces come at the end of these instructions. For accurate printing, please make sure you are using the latest version of Adobe Reader. You can [download the latest version here](#) if you need to.

Select File → Print and the print dialogue box opens. Under Page Sizing and Handling, select ACTUAL SIZE. Check the preview in the right hand side illustration. Select the page numbers you want to print. You can print the whole document, or just the pattern pieces.

On the edge of the top left page is a box you can use to test your printing. This box should measure 2 inches square. If yours is wildly different you will need to check your printer options to make sure the pages are not being resized.

Use the grey guides on the overlap of the sheets to match up the pattern pieces, folding under or cutting off any overlaps, tape together and cut out your pattern pieces.

## Help printing and assembling your pattern

You can find helpful tutorials on how to download, print and assemble PDF sewing patterns here:

[How to download and print a PDF sewing pattern](#)

[How to print and assemble a PDF sewing pattern](#)

Find more great sewing patterns at So Sew Easy – <https://so-sew-easy.com>



## Materials

- 2 to 2 1/2 yards of cotton (poplin), twill, or mechanical stretch polyester (for fast drying)
- 1 to 1 1/2 yards of 3/8" or 1/2" elastic, or 2" wide elastic
- 2 yards of 1/4" cord for the waistband
- Thread to match

## Tools

- Sewing machine (optional) but ideal
- Scissors
- Pins

Find more great sewing patterns at So Sew Easy – <https://so-sew-easy.com>



Thank you for downloading this pattern and tutorial. I hope you enjoyed making this project and remember that I love to see what you made so do upload your completed projects to the pattern page on Blueprint.

**Keep up with all the latest news and sewing projects at [So Sew Easy](#).**

We also have a really great sewing chat group where you can ask questions, share your completed projects, and get 24 hr sewing inspiration. It's not just for So Sew Easy projects – you can chat about all sewing there, whether a newbie just starting out, or an advanced and experienced sewer, there's something for everyone in the sewing chat group. Join us here.

**[SEWING CHAT GROUP](#)**

**For the latest list of both free and paid patterns available, pop on over to [my designer page on Blueprint](#).**

**This pattern graphic, the photos and the instructions are copyright So Sew Easy Pte Ltd and protected by law. All rights reserved. Please do not copy, publish, sell, redistribute or alter them in any way. Please don't print and give to your friends, or send it to anyone by email. Please do not rebrand this work as your own and sell or give it away, even if altered. This is intended for your personal use. If you would like to recommend these instructions, please pass on the original download link at So-Sew-Easy.com. Thank you for your understanding.**

**Usage – you ARE allowed to use this pattern to make things to sell on a small handmade basis, such as for craft fairs and for your Etsy shop. However, it may not be used for larger scale commercial purposes without a commercial license.**

*Find more great sewing patterns at So Sew Easy – <https://so-sew-easy.com>*



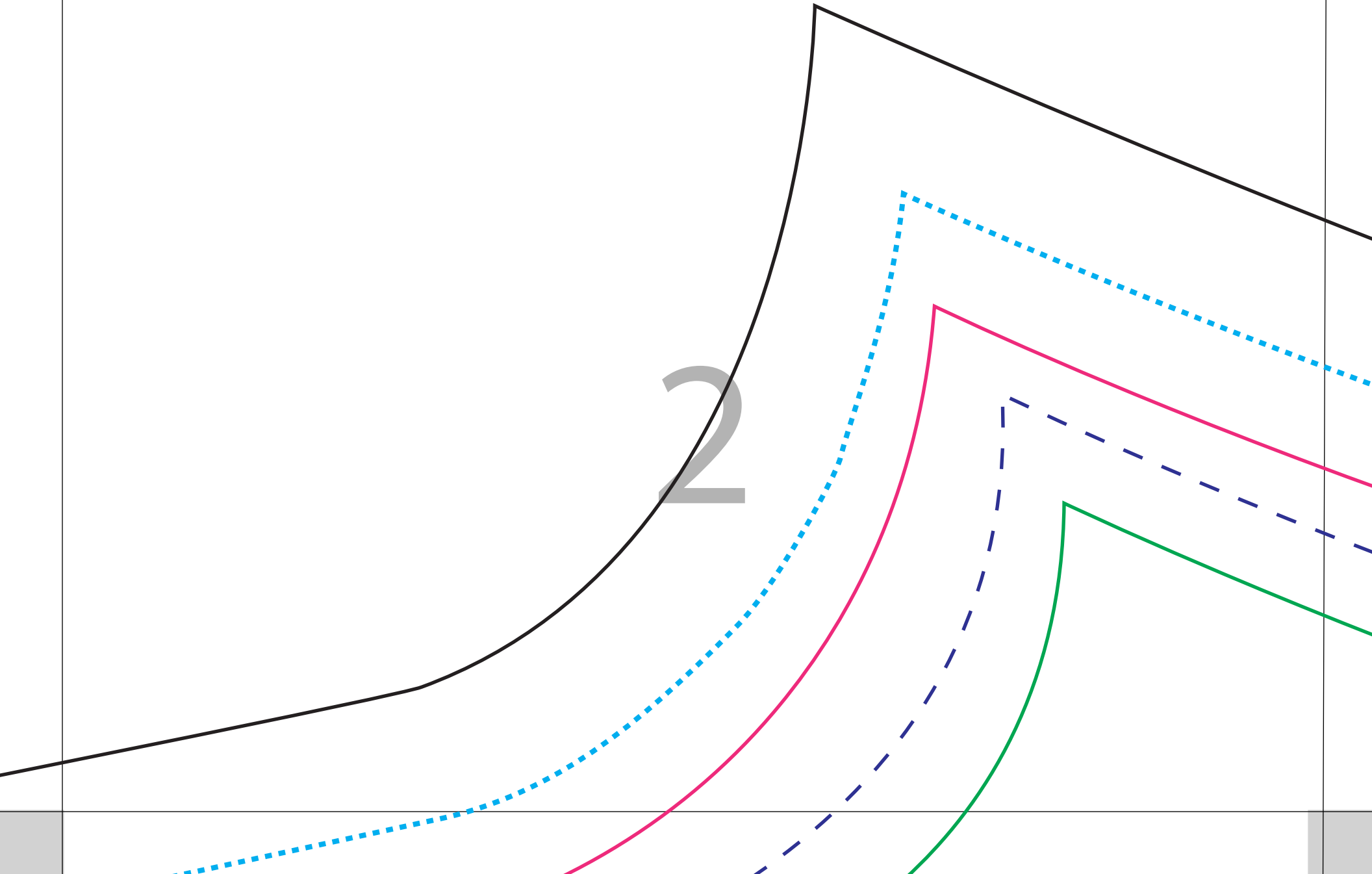
Unisex Scrub  
Pants

2" X 2"  
Square Test

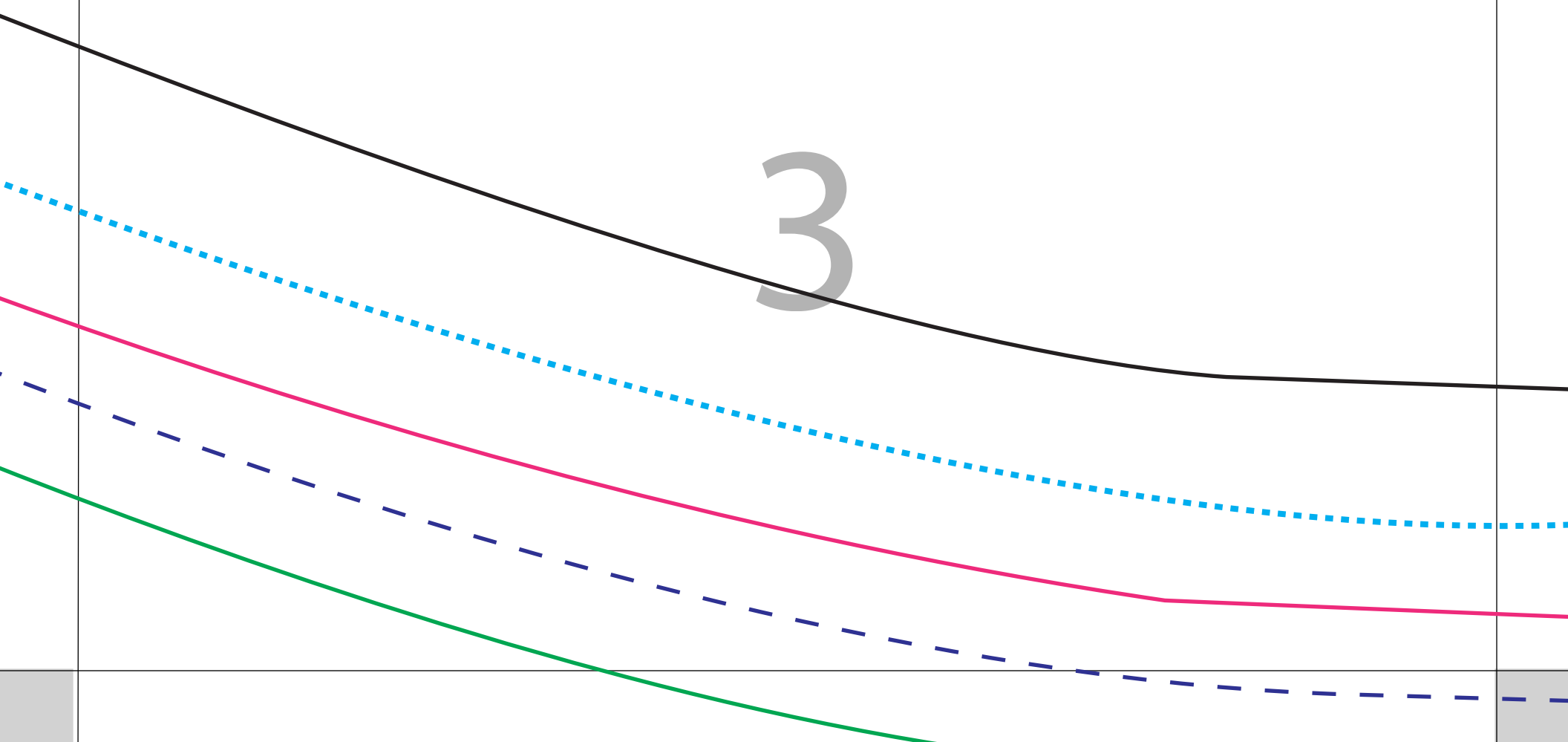
So-Sew-Easy.com  
Copyright 2020

1

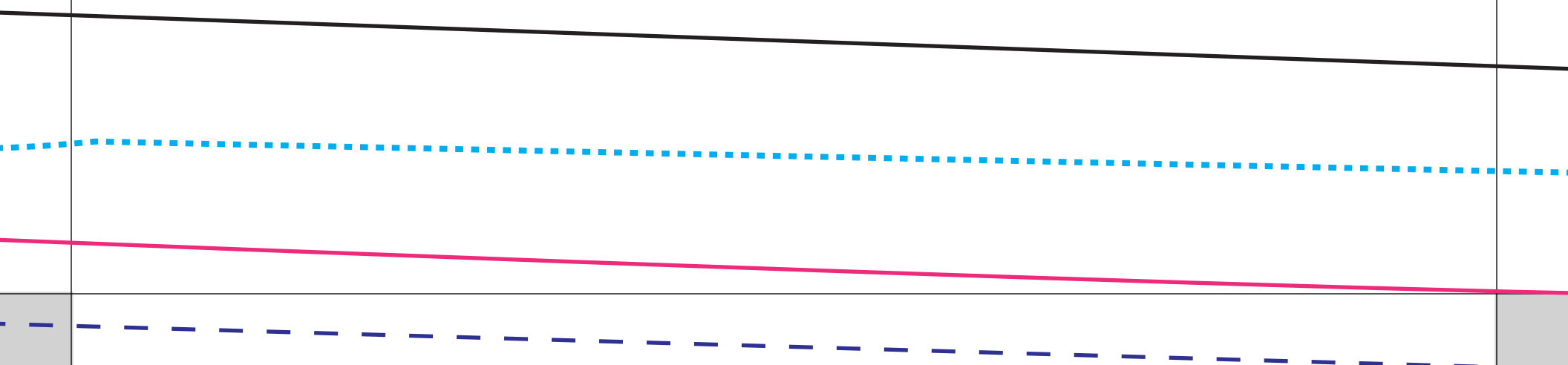
2



3

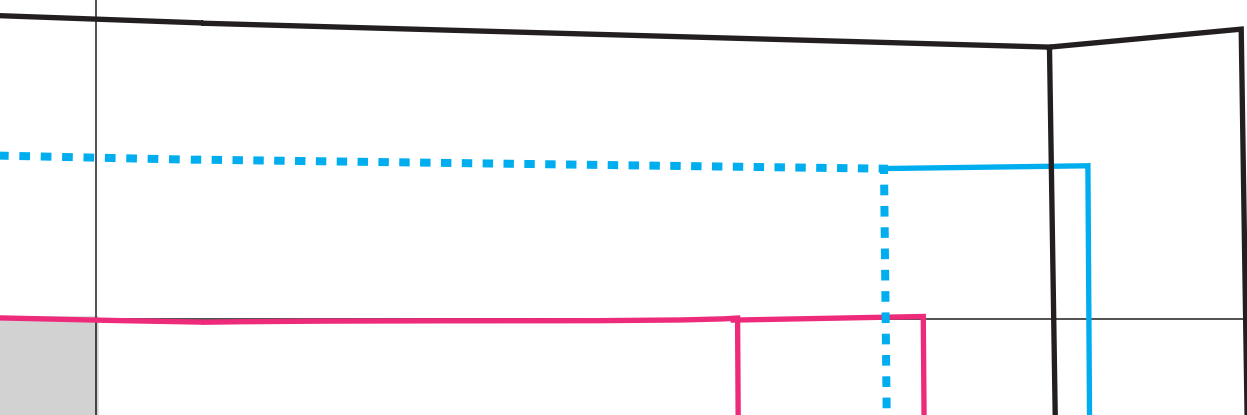


4



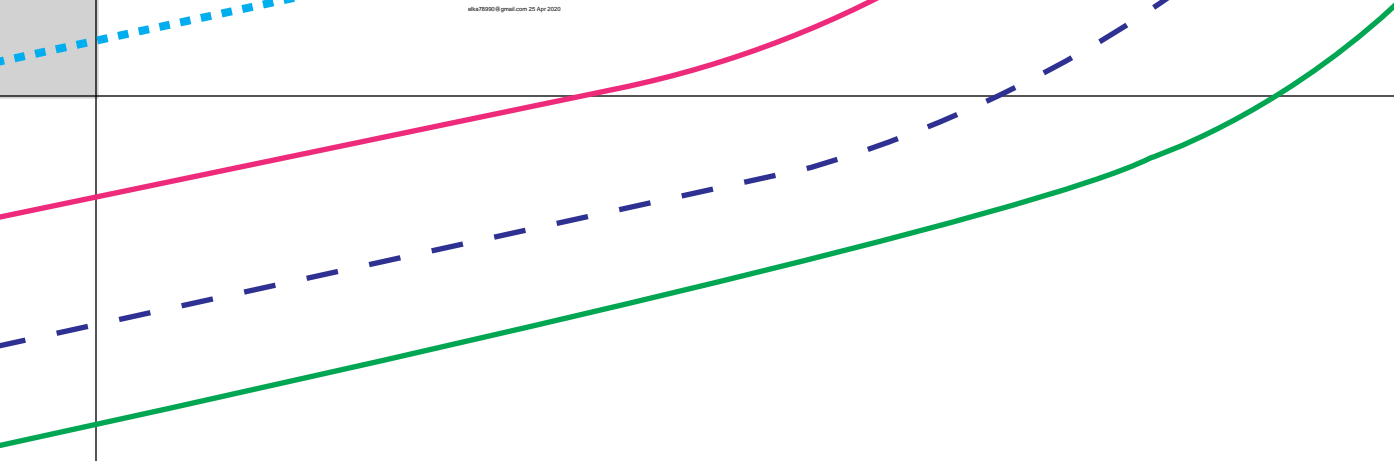



5



6

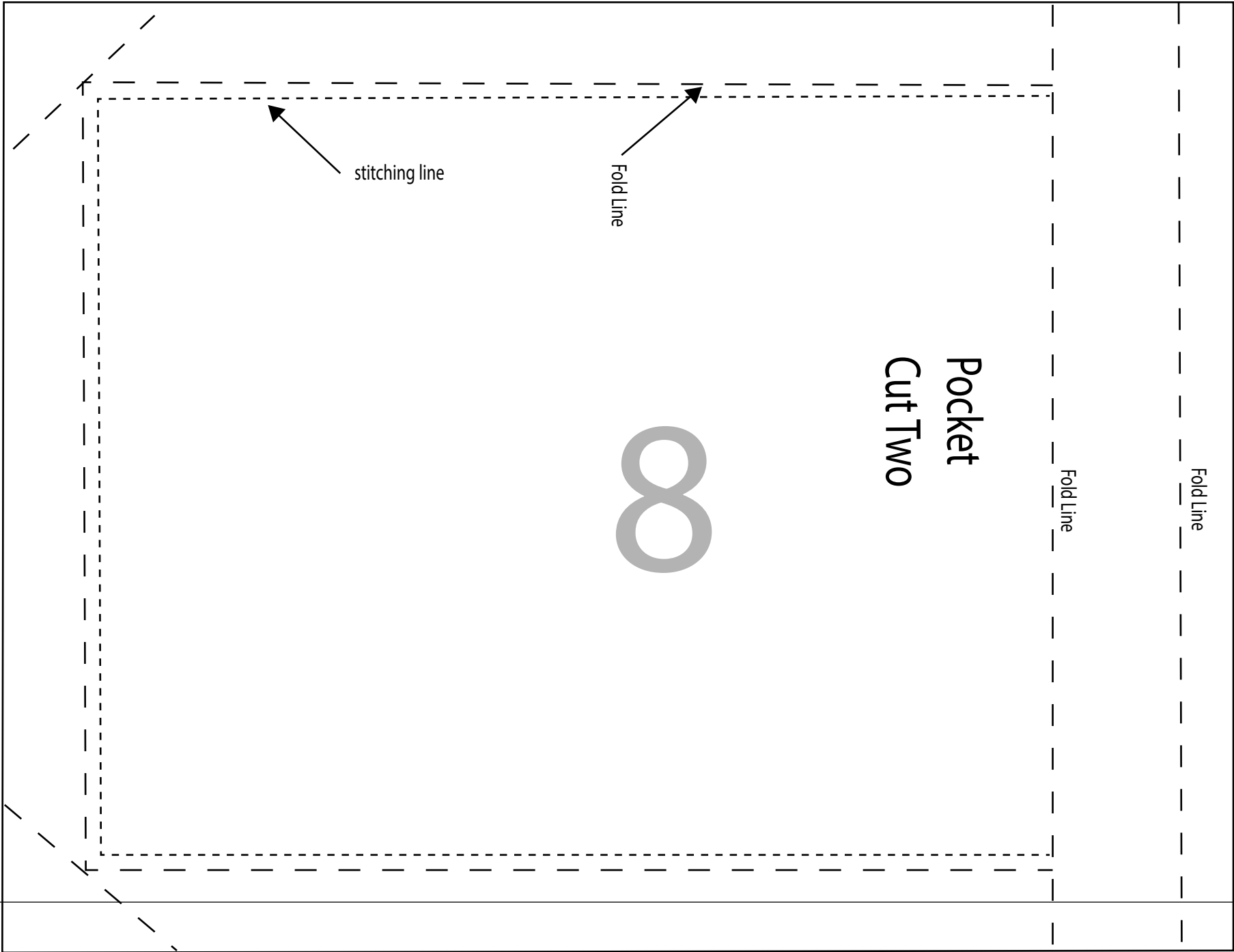
Back  
Cut Two  
So-Sew-Easy.com  
Copyright 2020



- S 
- M 
- L 
- XL 
- 2XL 

# 7

This pattern is offered as free on [www.so-sew-easy.com](http://www.so-sew-easy.com)  
do let me know if you purchased it or downloaded in any other site  
than [so-sew-easy.com](http://so-sew-easy.com)  
Thank you!



8

Pocket  
Cut Two

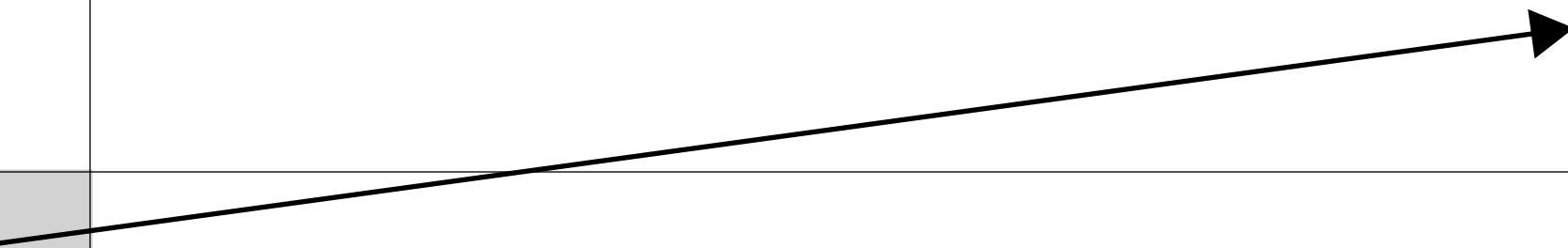
stitching line

Fold Line

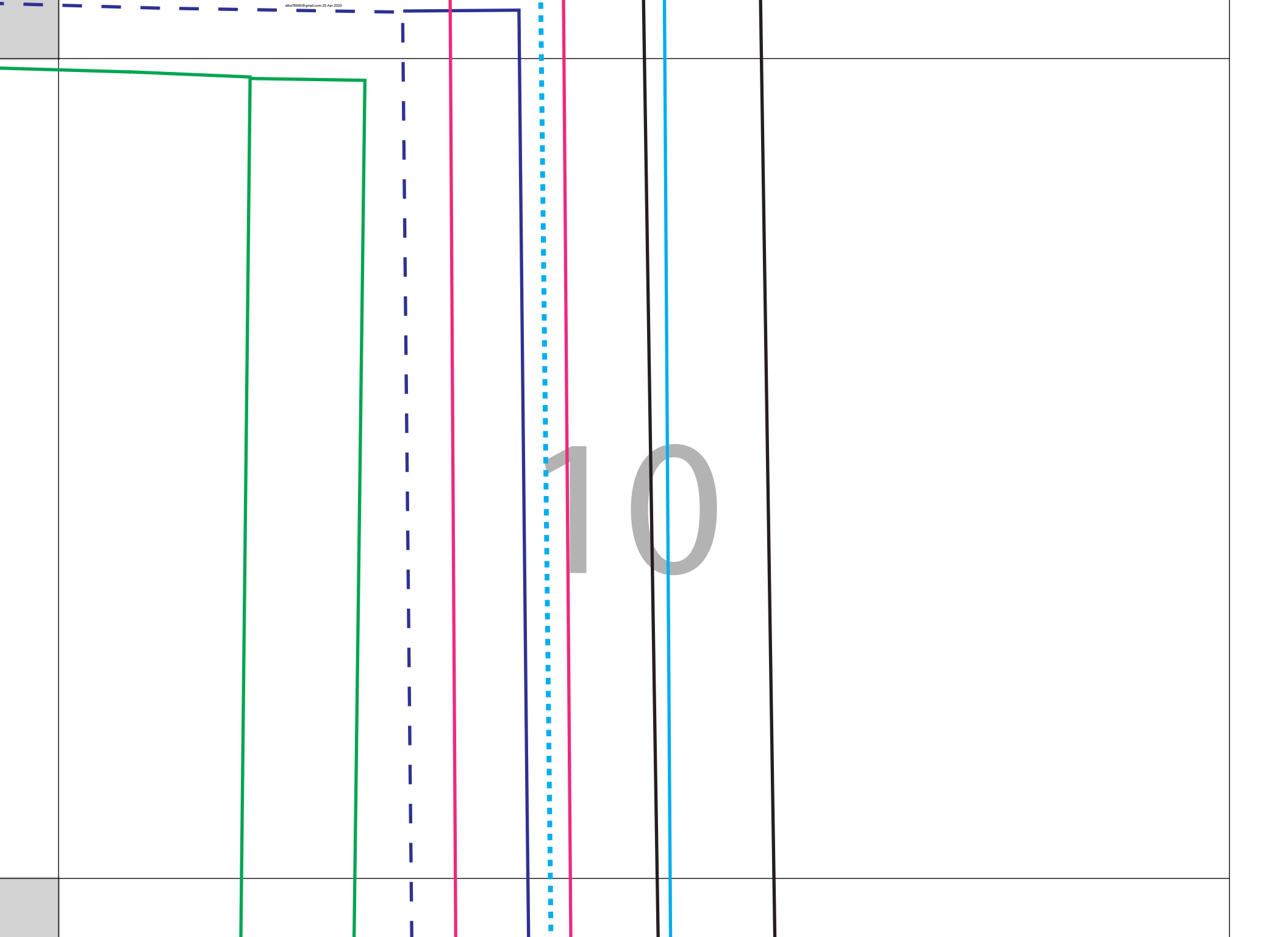
Fold Line

Fold Line

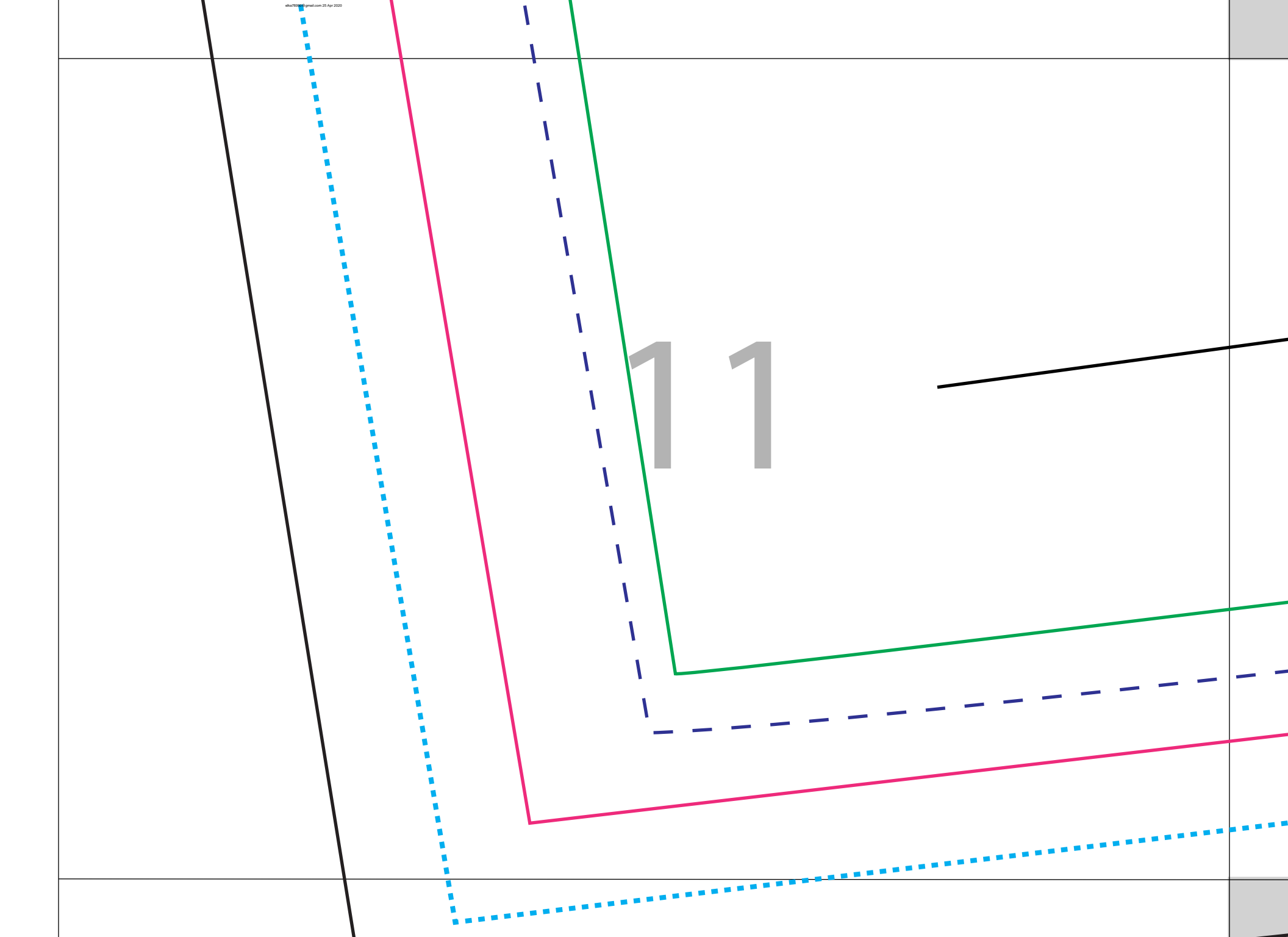
9



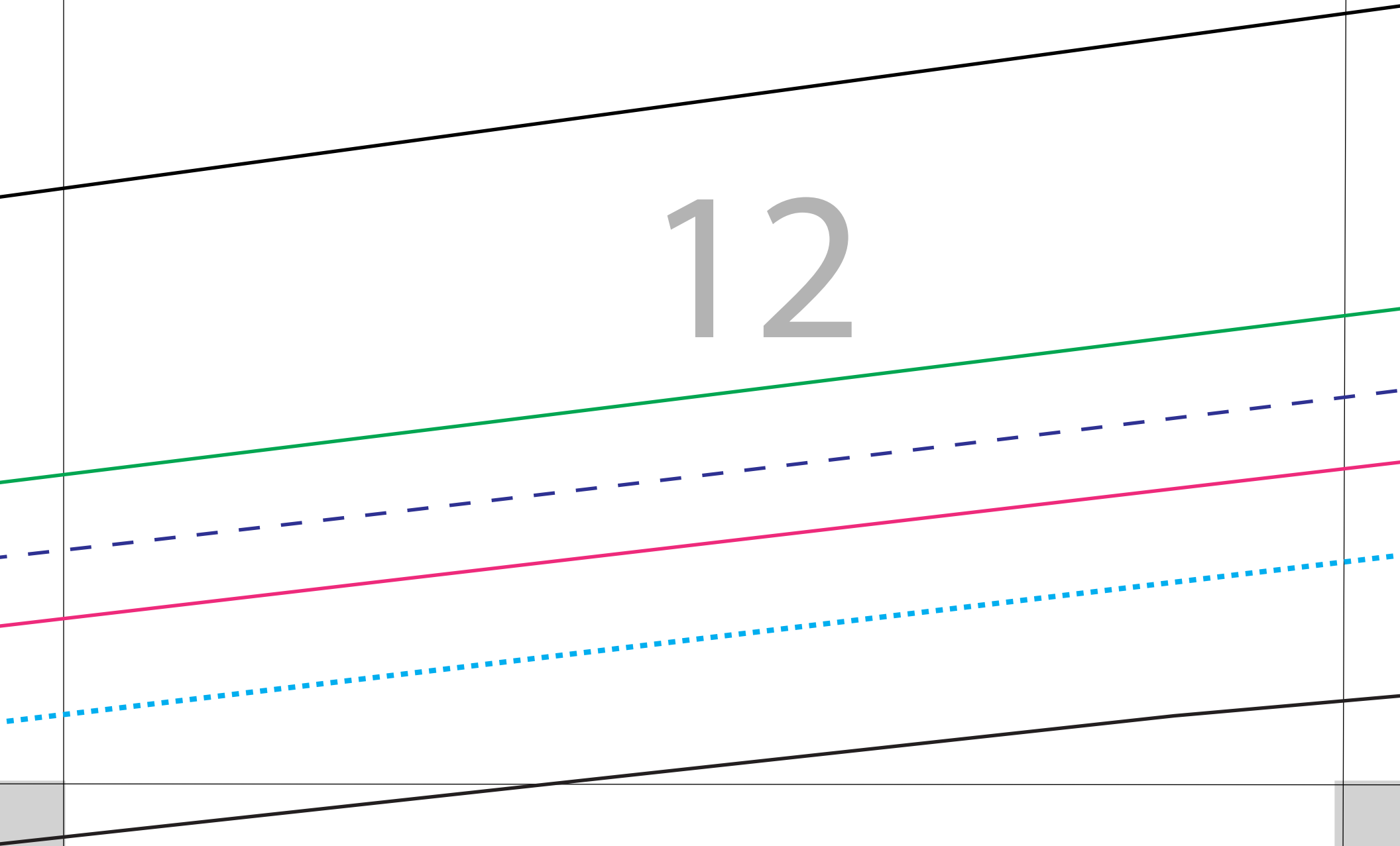
10



11

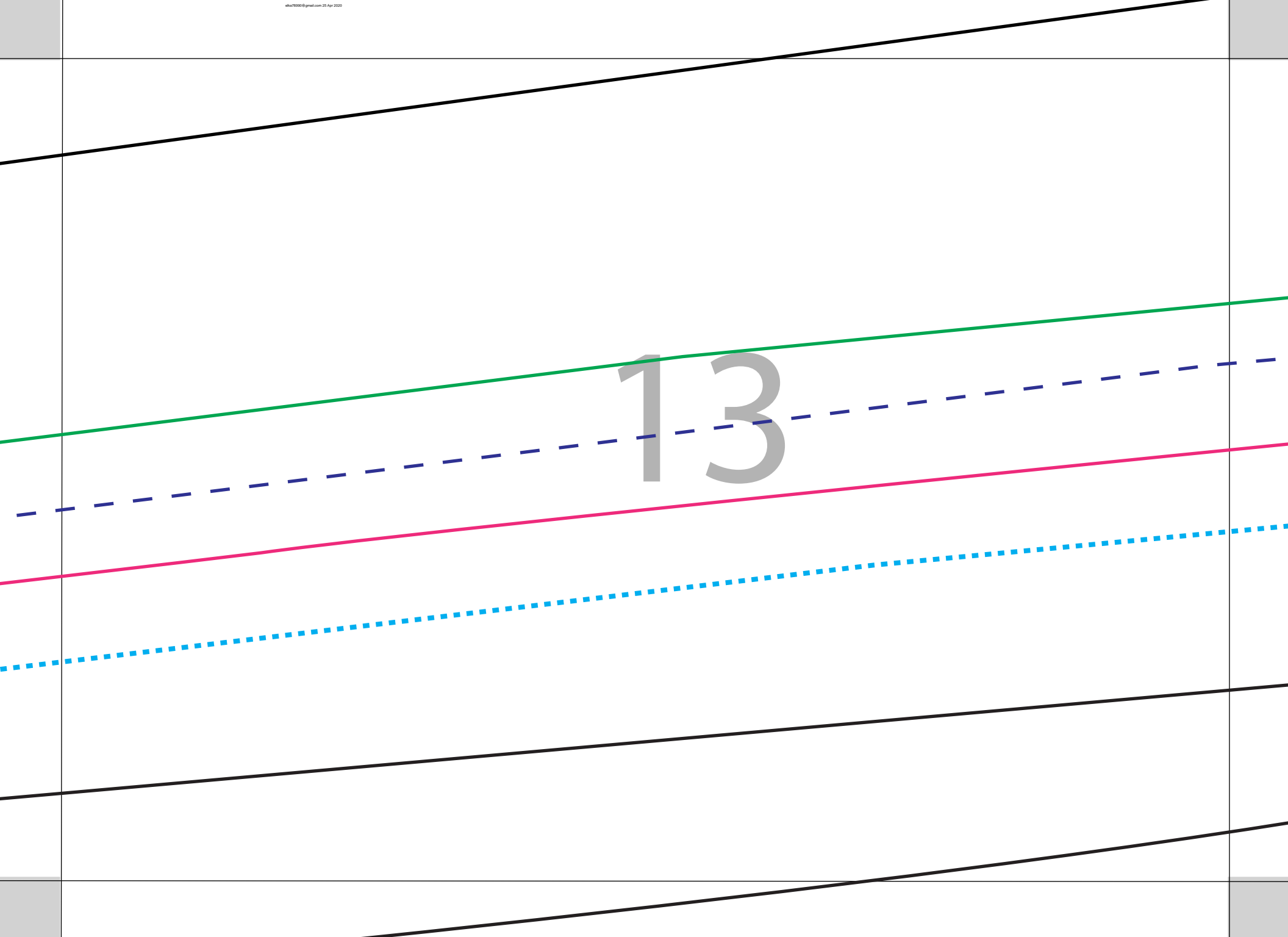


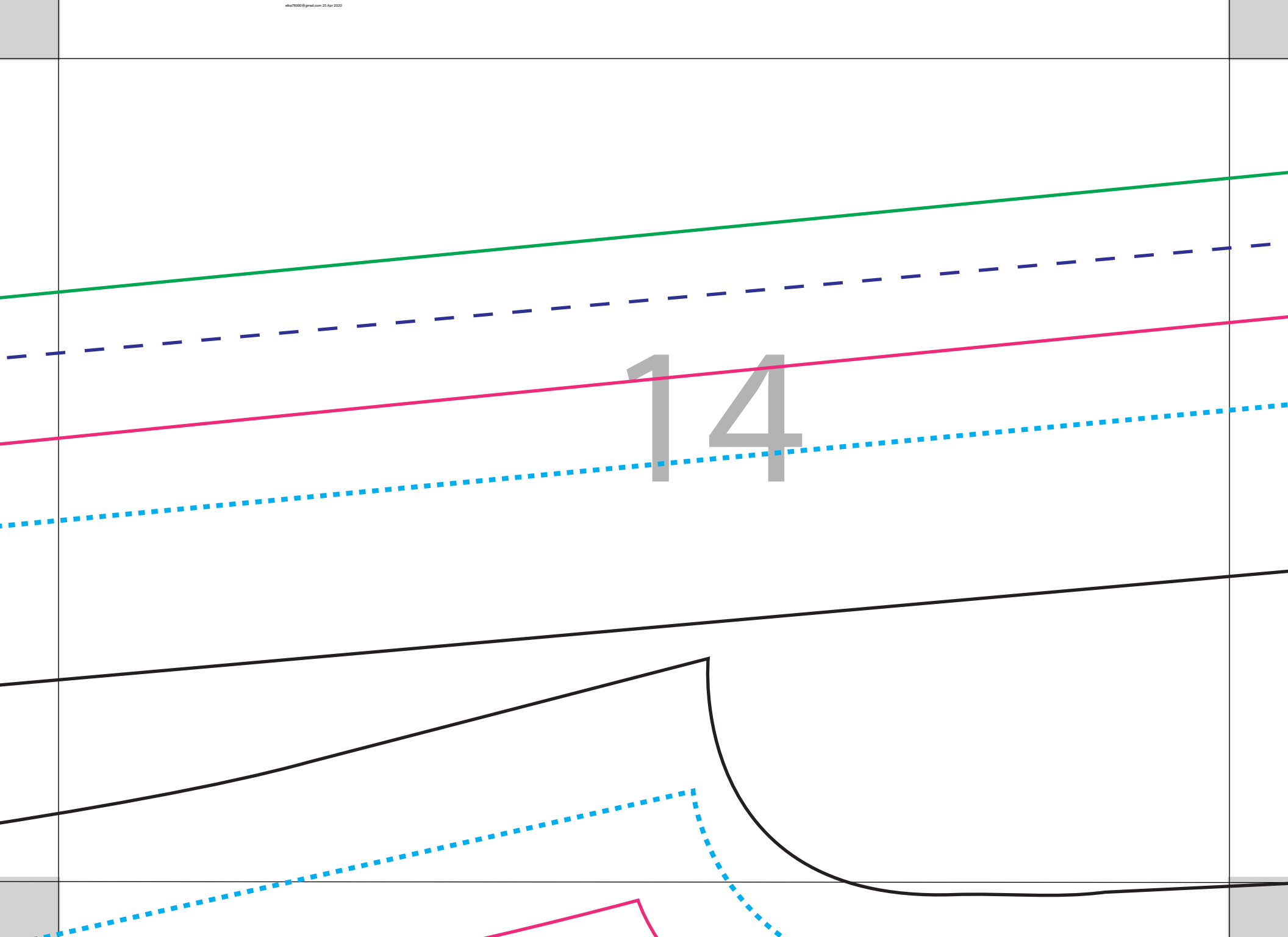
12

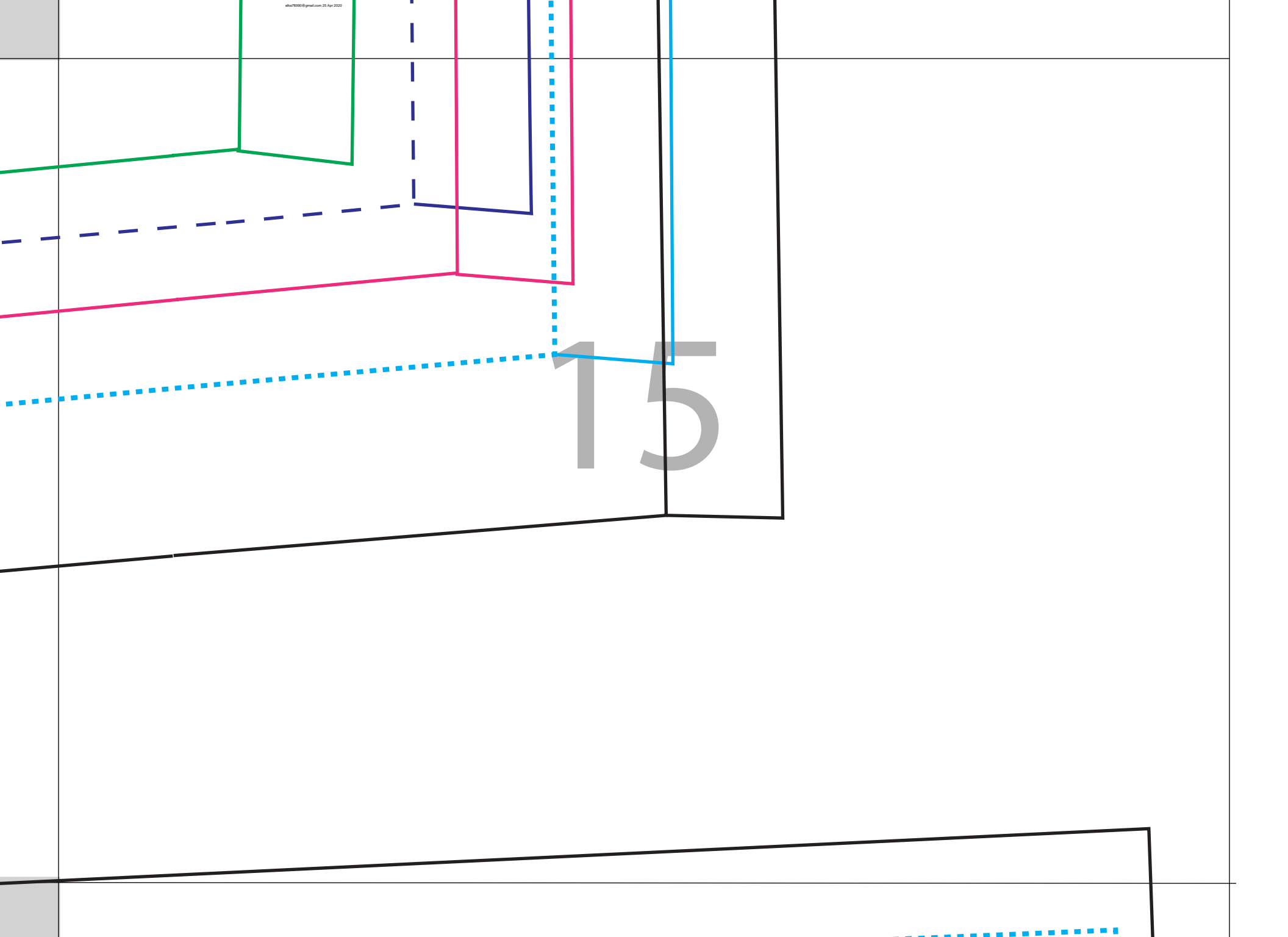




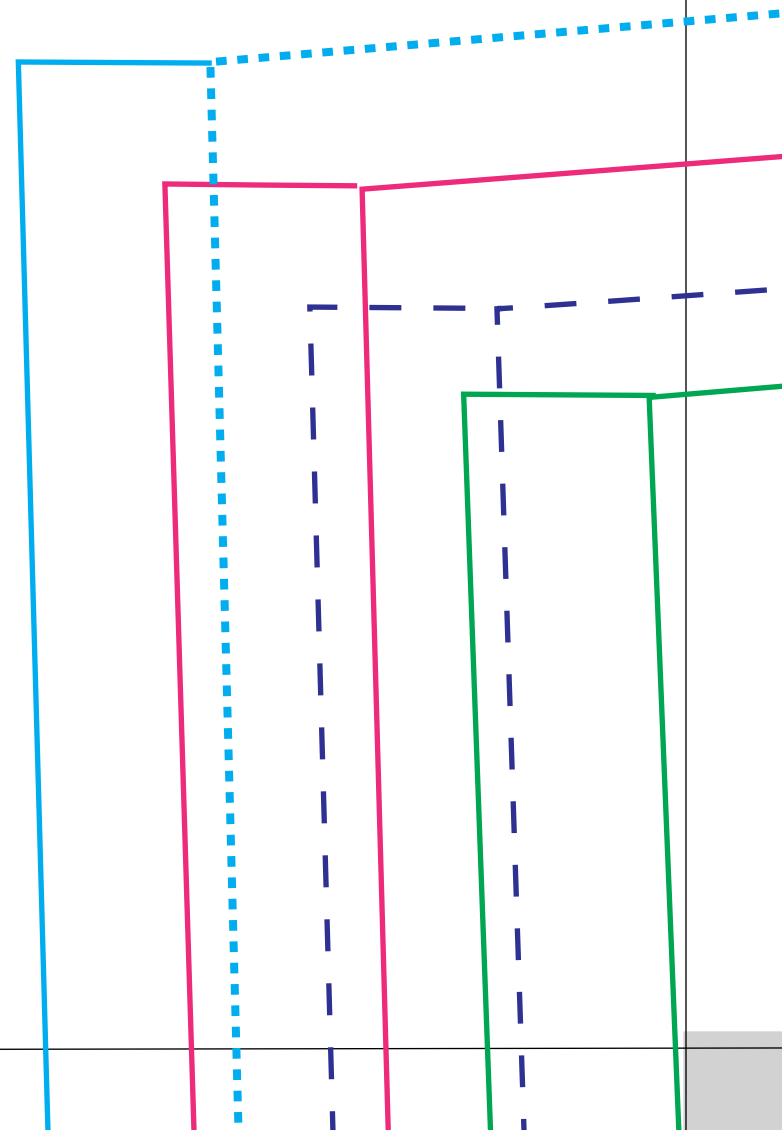
13

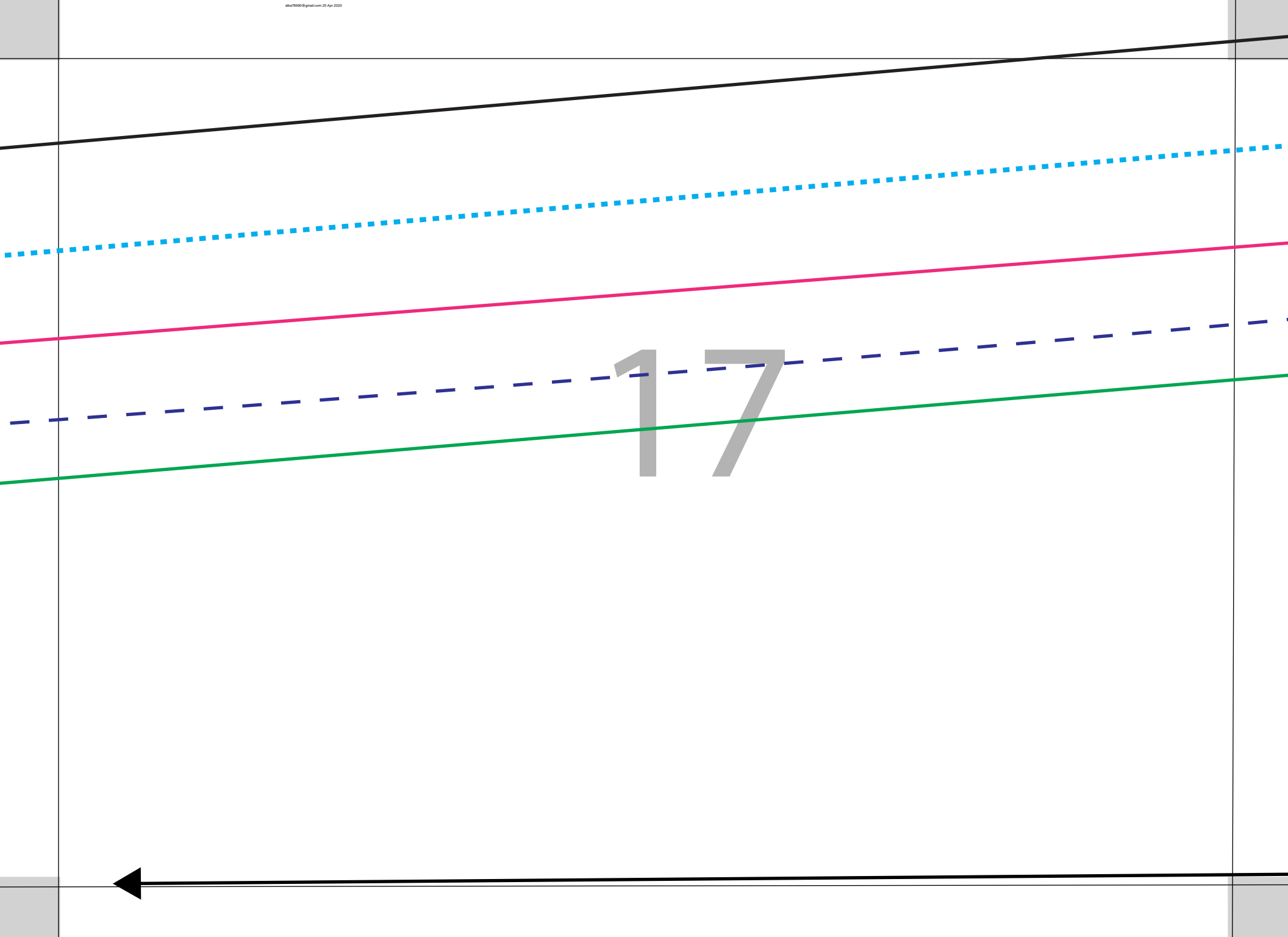


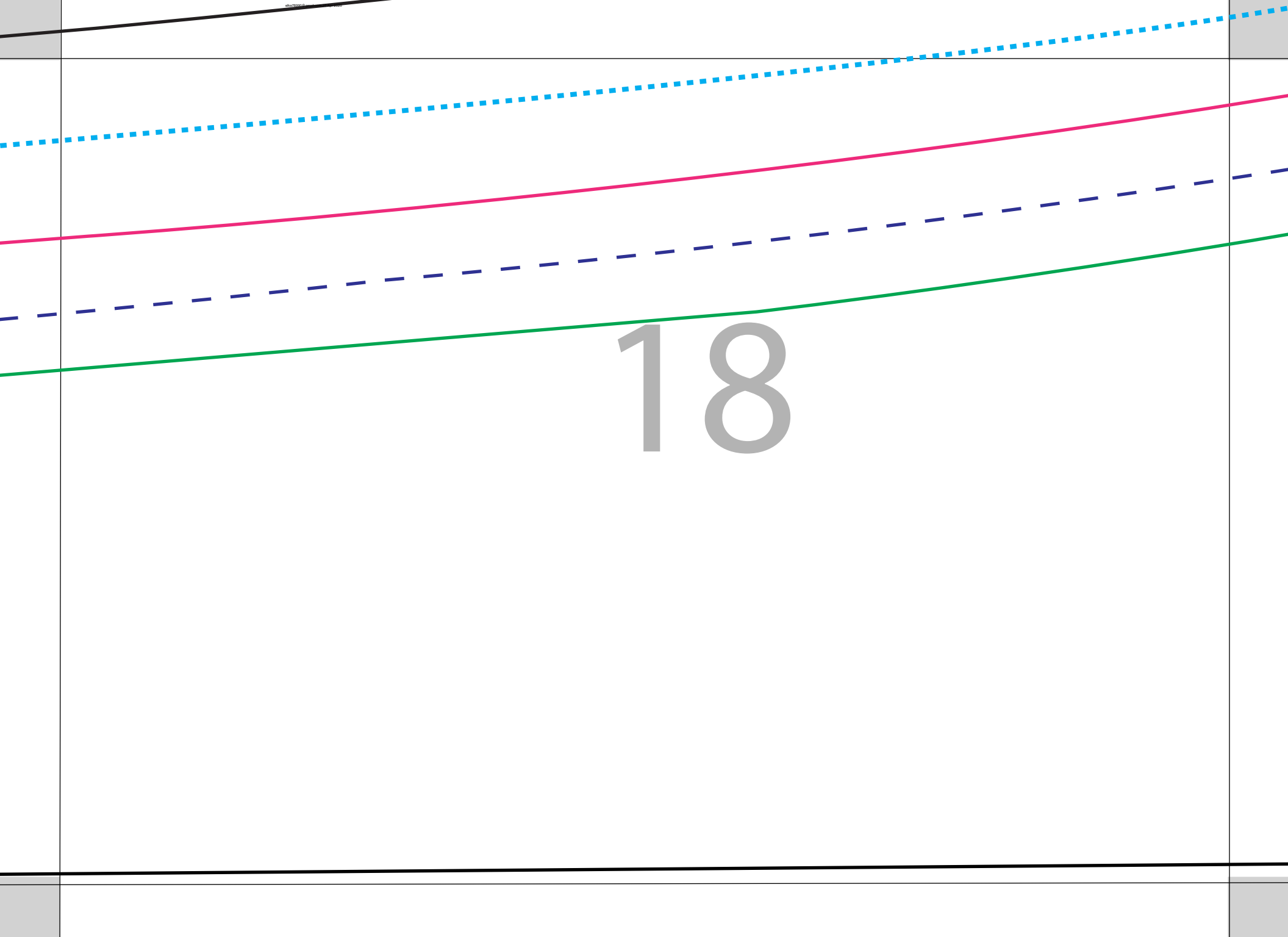




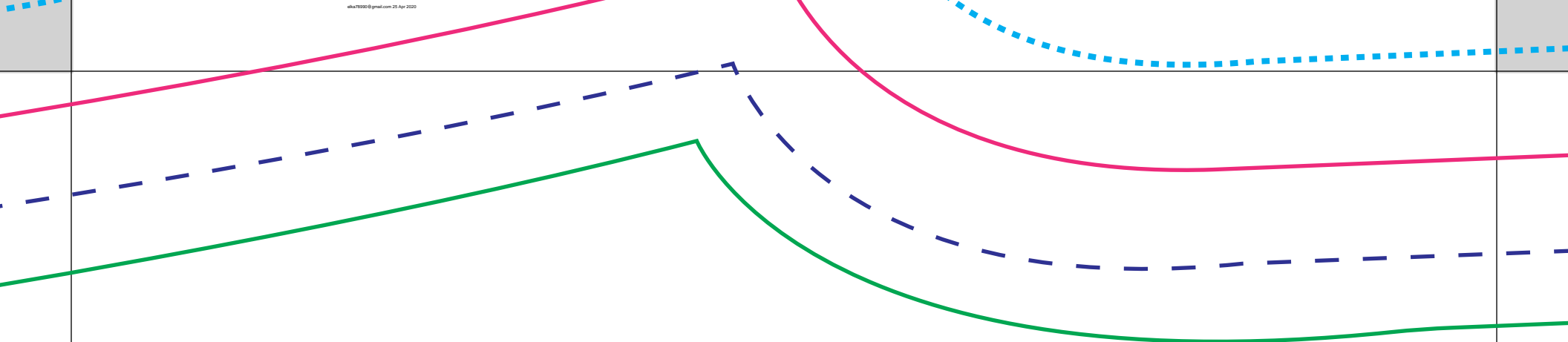
16







18



# 19

Placement of Pocket



20

Front

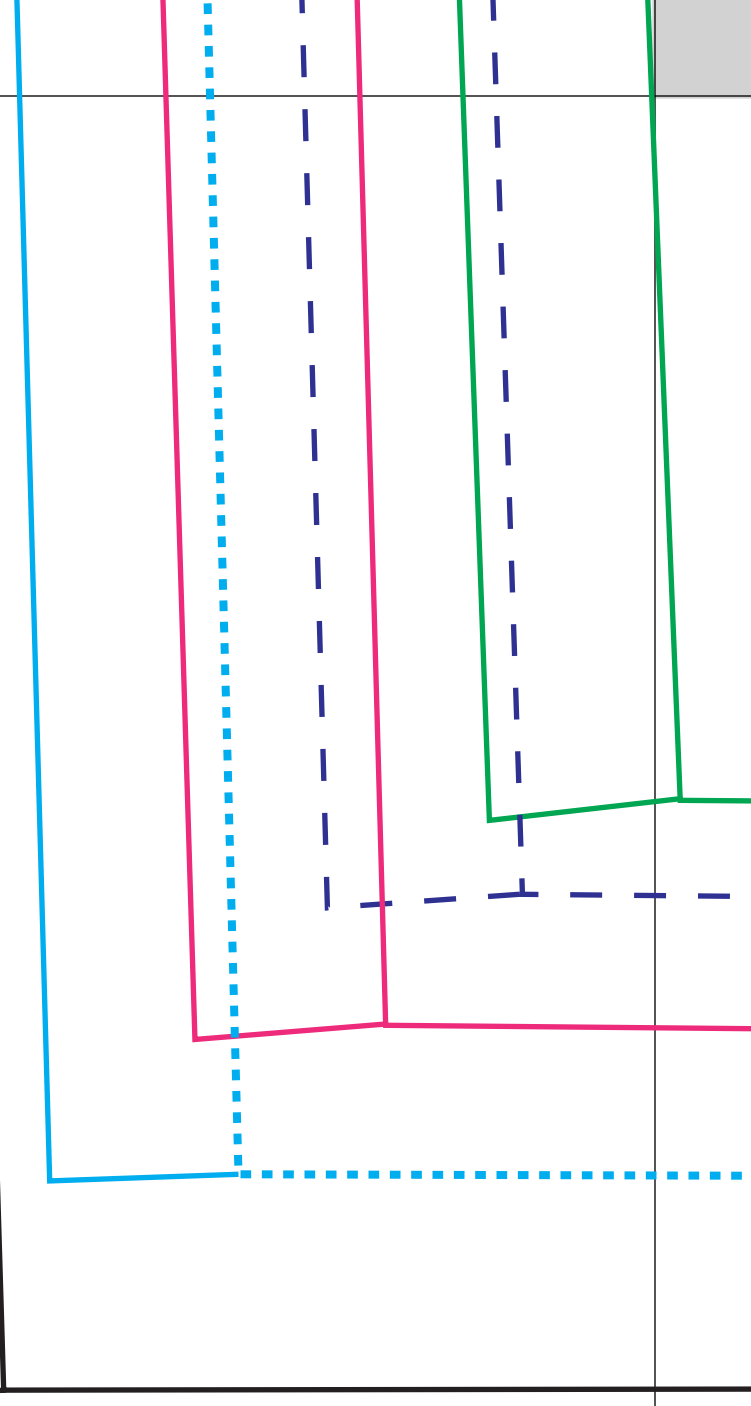
Cut Two

So-Sew-Easy.com

Copyright 2020



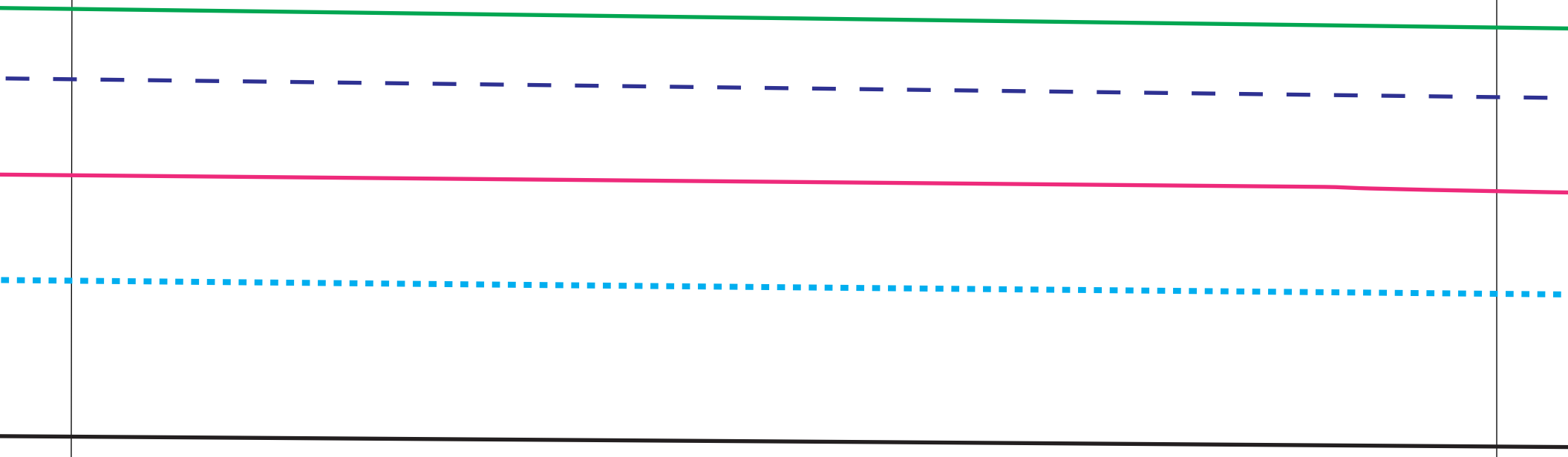
21



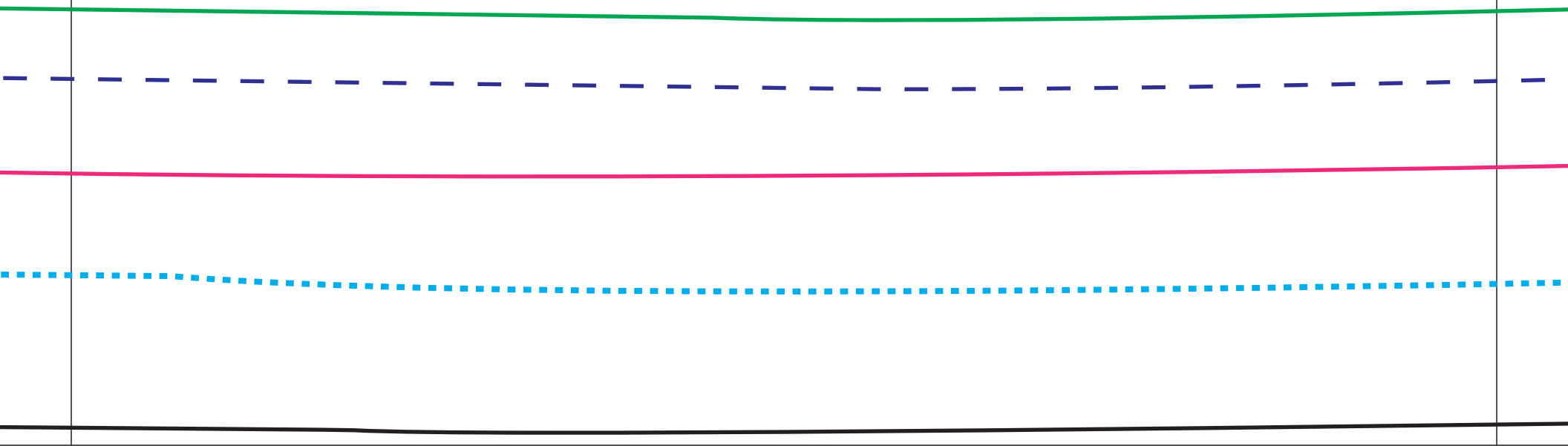
22



23



24



25

