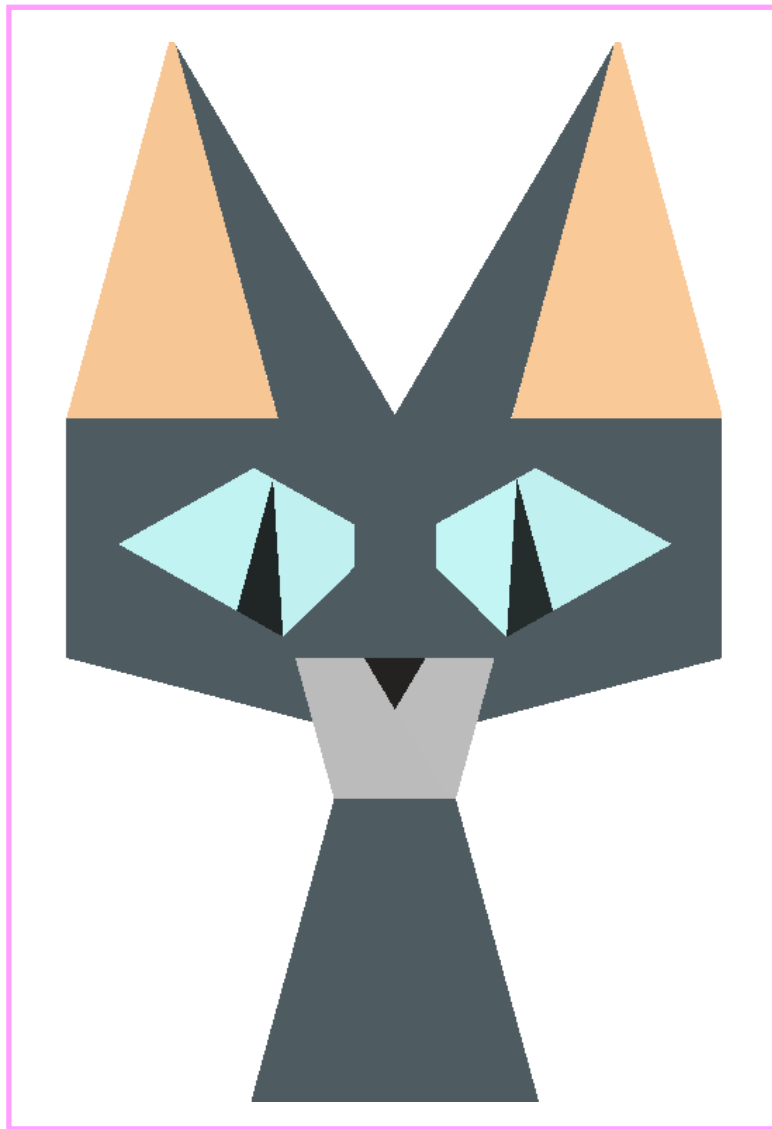


Candy

Cat

Foundation Paper Piece
Pattern



Finished Block Measures 12" x 9"

Skill level - Advanced



Assembly Instructions

Join sections in the following order:

A-B

C-D

AB-CD

E-F

ABCD-EF

ABCDEF-G

ABCDEFGH-H

ABCDEFGH-I

Pattern templates include ¼ inch seam allowances and alignment markers.

Points to note:

-) Shorten your stitch length before you start to make the paper easier to rip off at the end.
-) Backstitch at the start and end of each line to keep stitches secure when ripping the paper off at the end.
-) Iron each seam as you go to keep your work neat.
-) Print to “actual size” (do not “fit to page” or “scale”).

Thank you for purchasing my pattern. I would love for you to share your finished blocks on instagram. [#unicornharts](https://www.instagram.com/unicornharts)

www.instagram.com/unicornharts

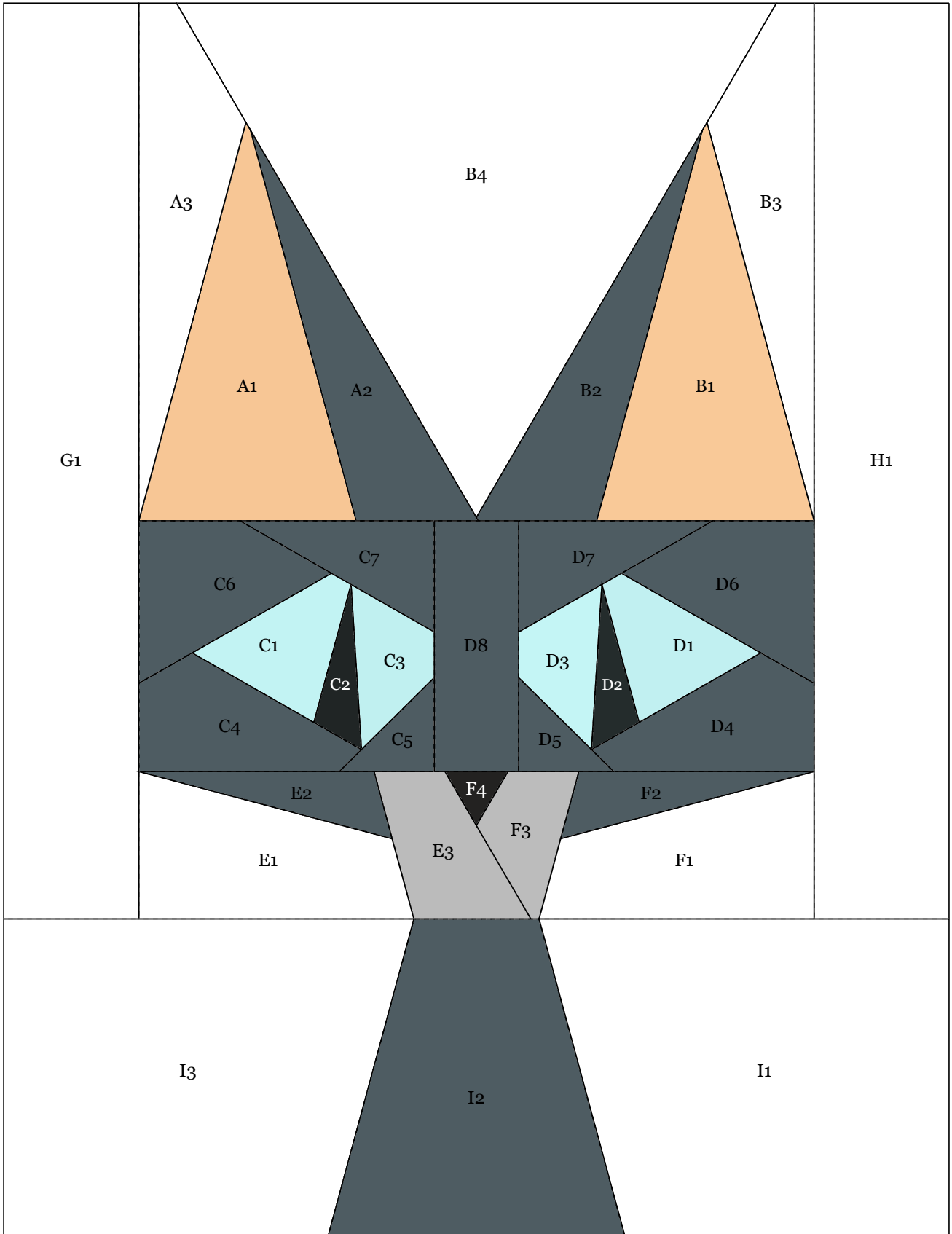
Please feel free to contact me if you have any questions at:

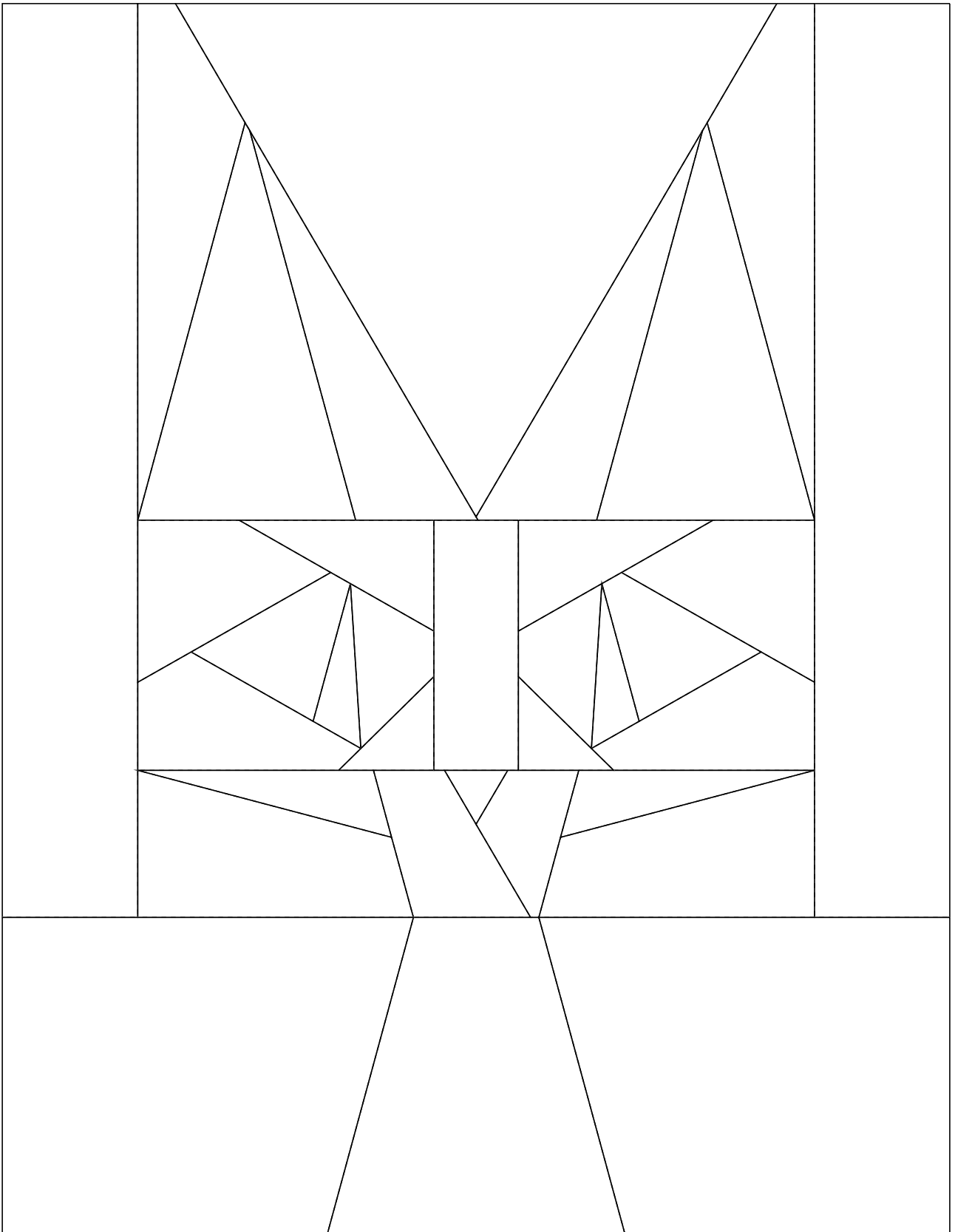
unicornharts@outlook.com

©Unicornharts 2017

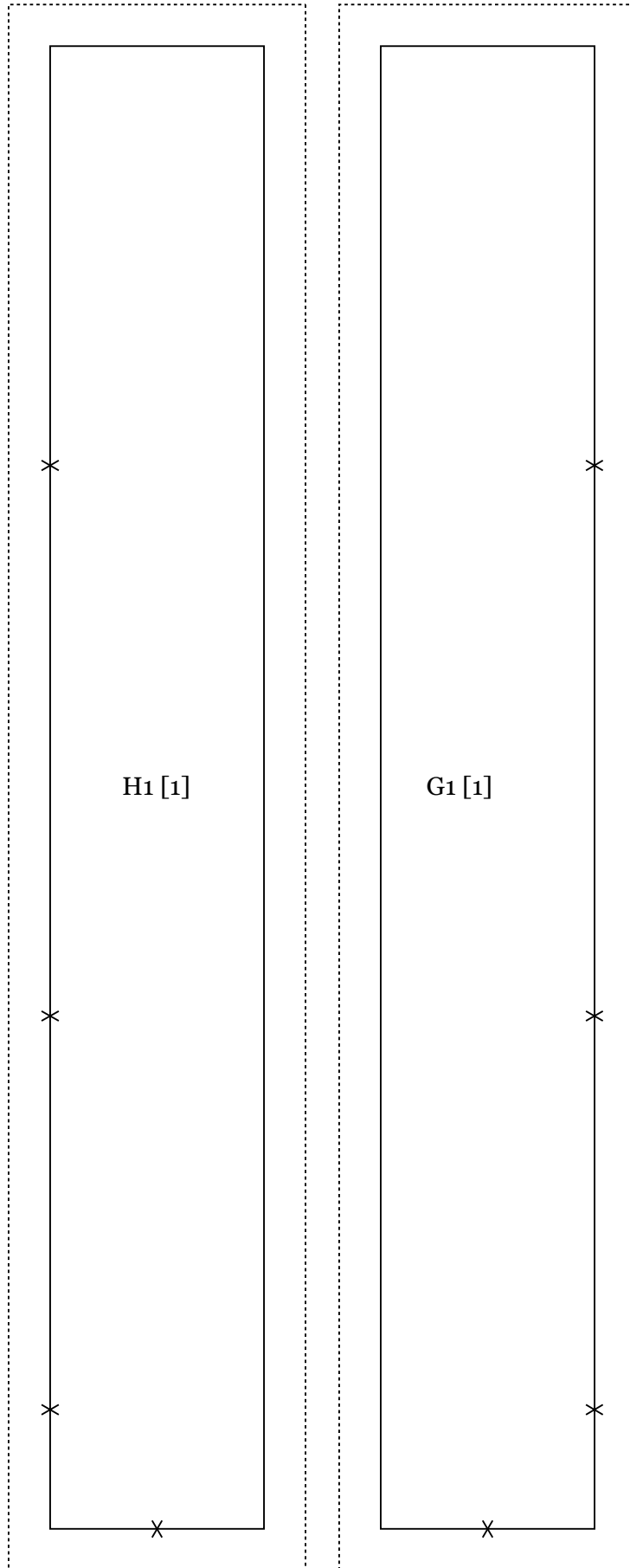
This is a Free pattern intended for personal use. Please do not copy or sell this pattern.

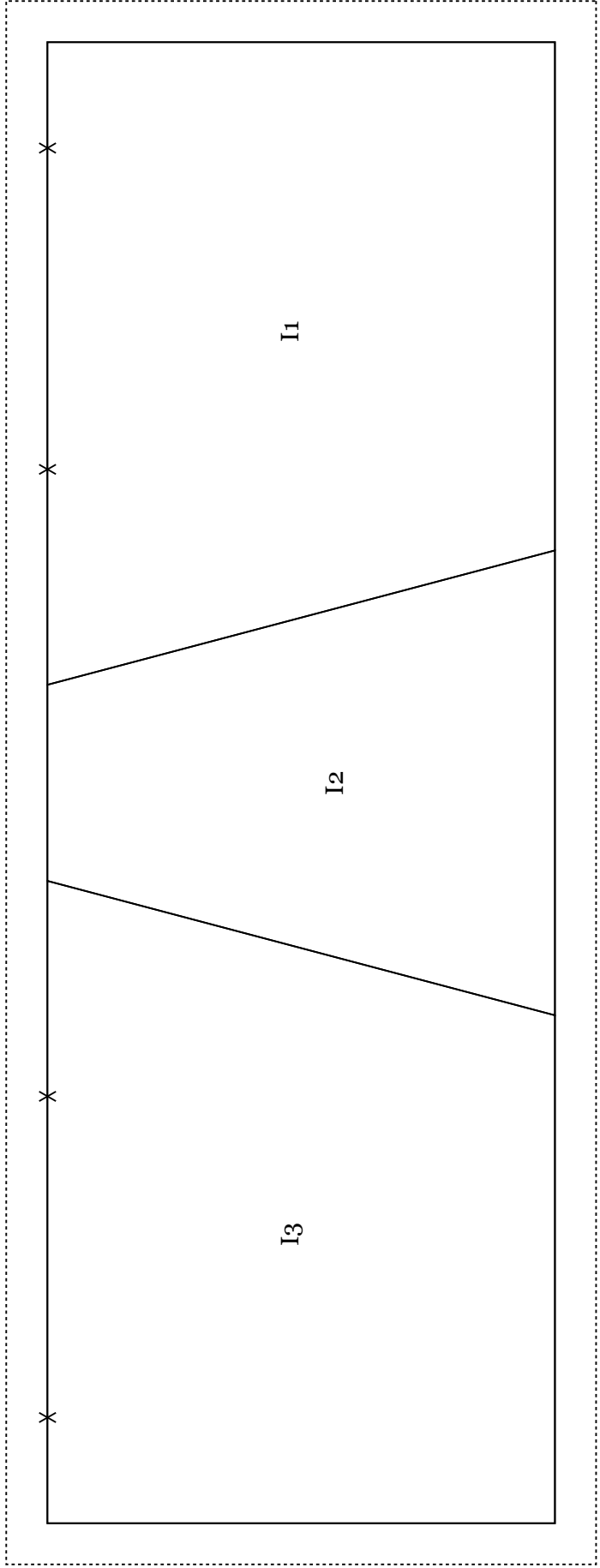


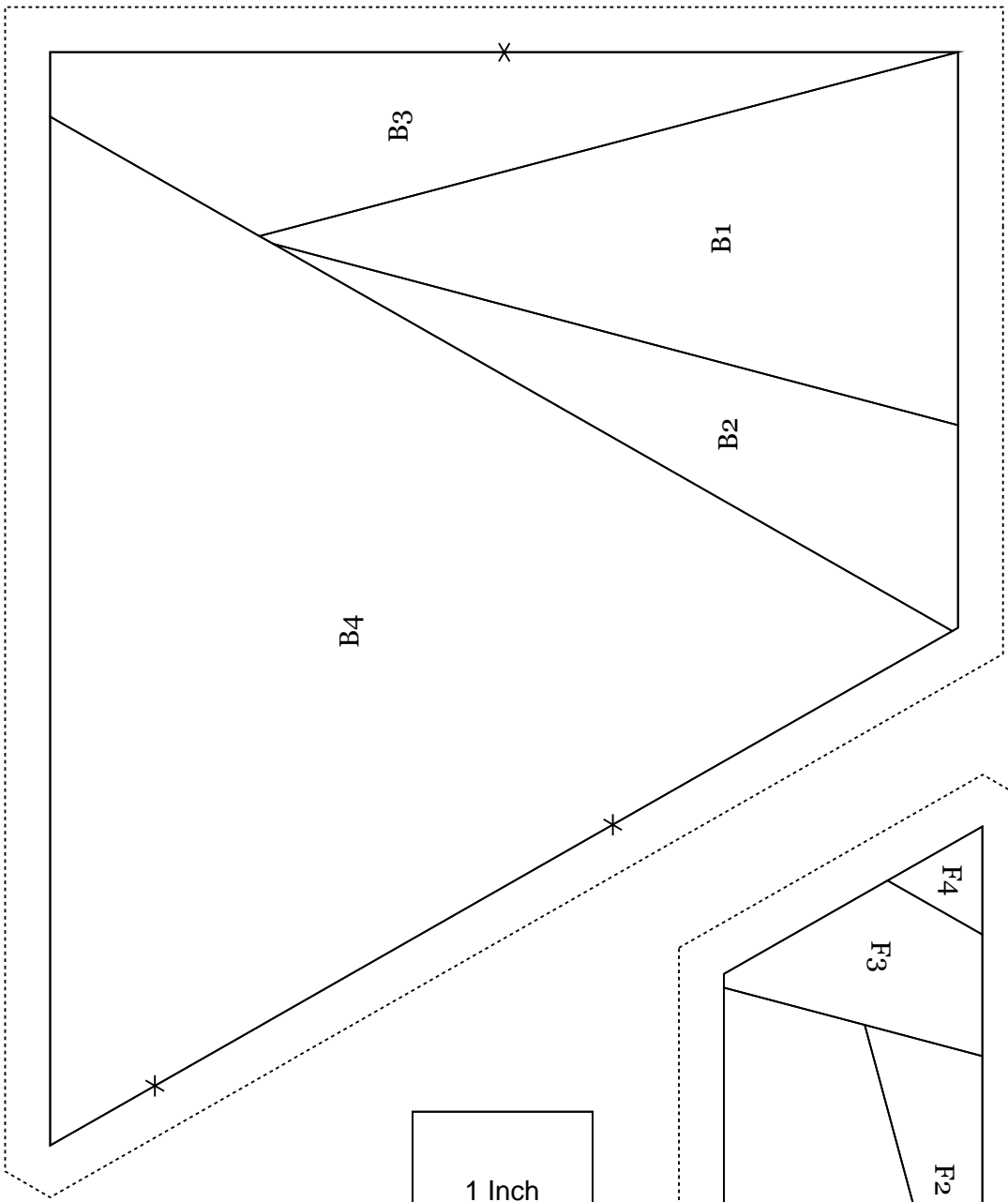




Colouring Page







1 Inch
Test Square

