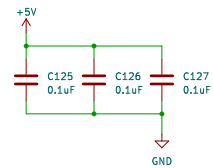
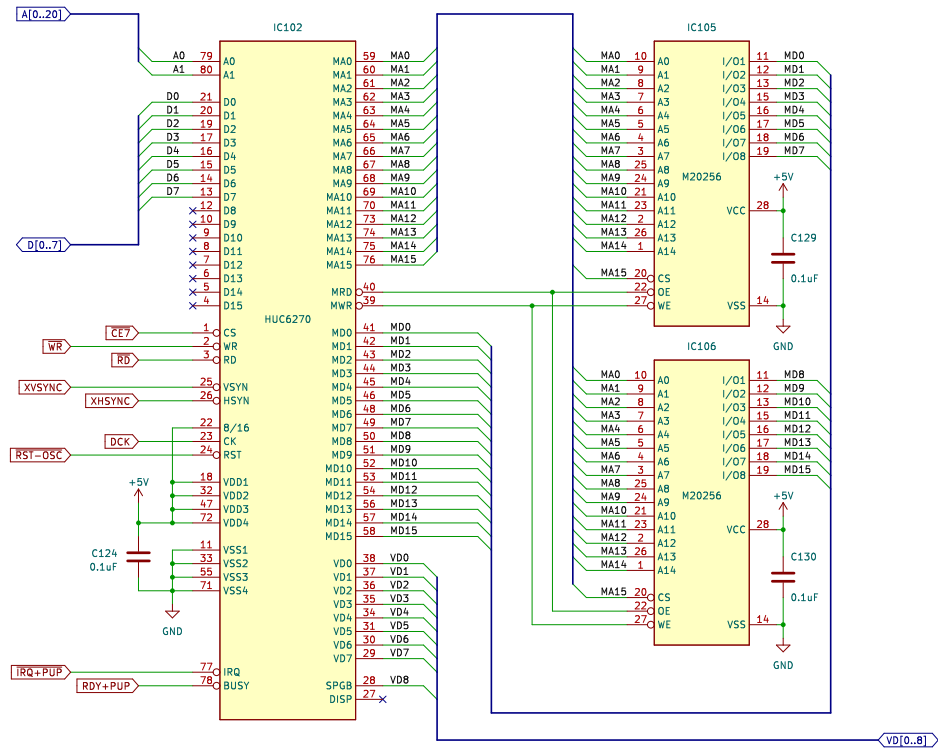
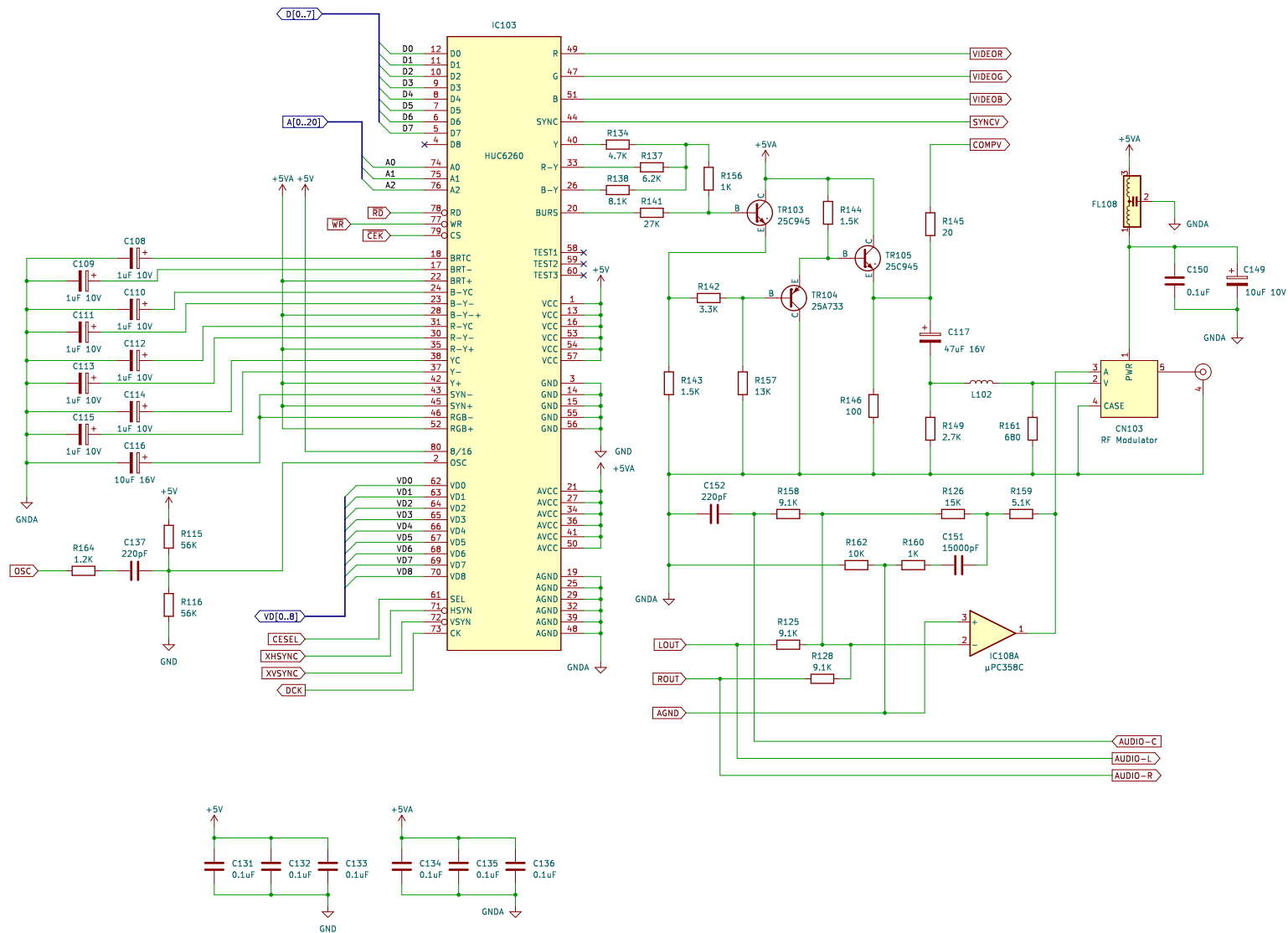


Adapted from existing TurboGrafx-16 schematics by Cosam
 Differences reverse engineered from original PWD-623A board

Sheet: /CPU/ File: cpu.kicad_sch		
Title: PC Engine CPU and RAM		
Size: A3	Date: 2023-09-20	Rev: 1.2
KiCad E.D.A. kicad 7.0.7		Id: 1/6





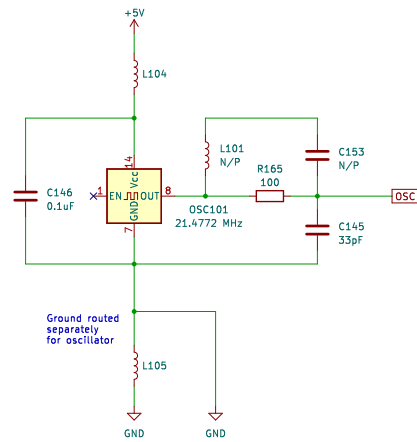
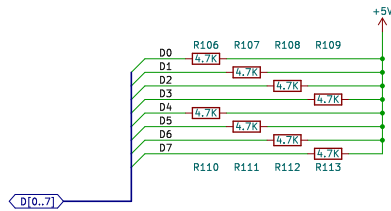
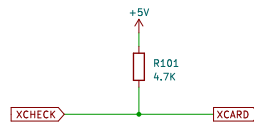
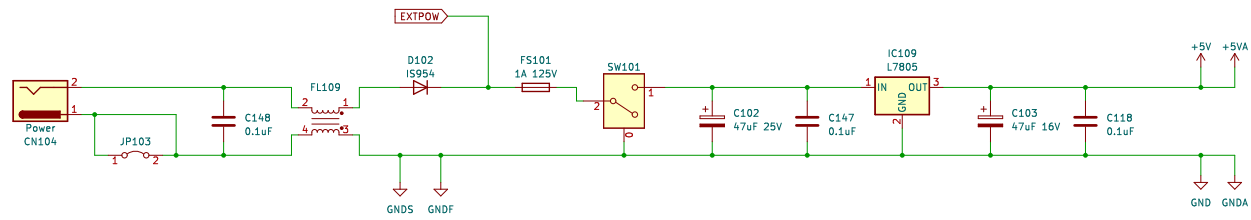
Adapted from existing TurboGrafx-16 schematics by Cosam
Differences reverse engineered from original PWD-623A board

Sheet: /Video/
File: video.kicad_sch

Title: PC Engine Video Encoding

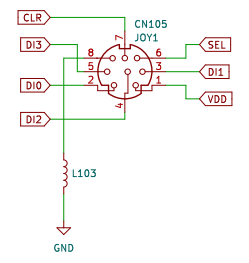
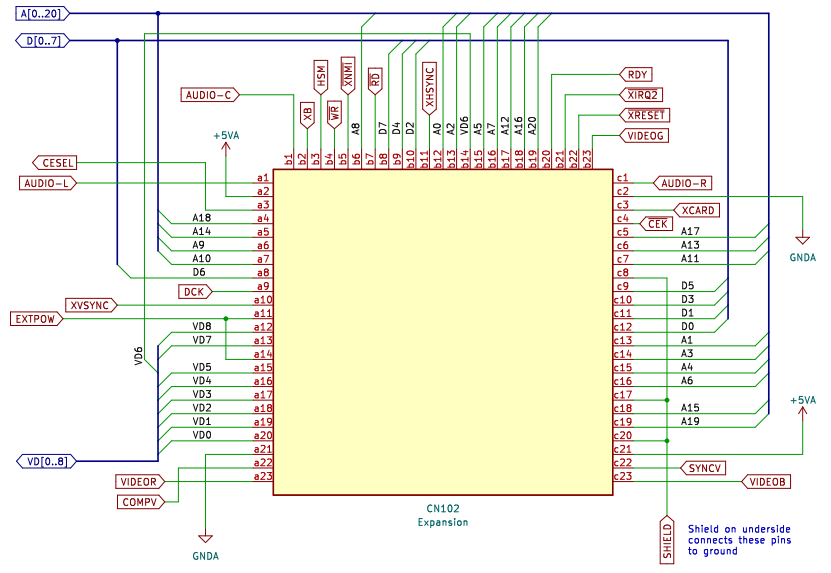
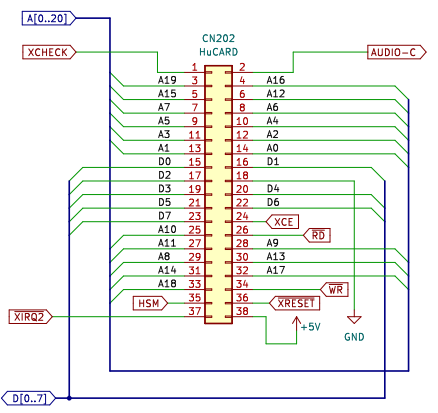
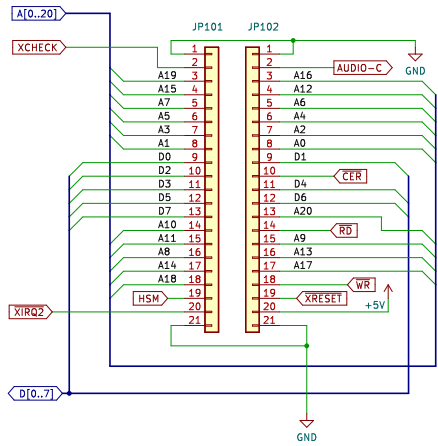
Size: A3 Date: 2023-09-20
KiCad E.D.A. kicad 7.0.7

Rev: 1.2
Id: 3/6



Adapted from existing TurboGrafx-16 schematics by Cosam
 Differences reverse engineered from original PWD-623A board

Sheet: /Power/ File: power.kicad_sch		Title: PC Engine Power, Oscillator and Misc.	
Size: A3	Date: 2023-09-20	Rev: 1.2	
KiCad E.D.A. kicad 7.0.7		Id: 4/6	



Adapted from existing TurboGrafx-16 schematics by Cosam
 Differences reverse engineered from original PWD-623A board

Sheet: /Connectors/
 File: connectors.kicad_sch

Title: PC Engine Connectors

Size: A3	Date: 2023-09-20	Rev: 1.2
KiCad E.D.A. kicad 7.0.7		Id: 5/6

CPU



File: cpu.kicad_sch

VDC



File: vdc.kicad_sch

Video



File: video.kicad_sch

Power



File: power.kicad_sch

Connectors



File: connectors.kicad_sch

Adapted from existing TurboGrafx-16 schematics by Cosam
Differences reverse engineered from original PWD-623A board

Sheet: /
File: PCE.kicad_sch

Title: Index

Size: A3 | Date: 2023-09-20
KiCad E.D.A. kicad 7.0.7

Rev: 1.2
Id: 6/6